

NOTES:

- 1) BLACK RUBBER FENDER CROWNS
- 2) CHASSIS & BODY - GRAY ELITE PAINT
- 3) GRAPHICS TBD
- 4) REAR LOWER STORAGE TO ACCOMMODATE (4X) - 24" X 48" FOLDING TABLES

THIS DRAWING IS THE PROPERTY OF PIERCE MANUFACTURING. IT IS CONFIDENTIAL AND ALL RIGHTS ARE RESERVED. IT SHALL NOT BE REPRODUCED, COPIED, LENT, OR USED FOR ANY PURPOSE OTHER THAN THAT FOR WHICH IT IS SPECIFICALLY FURNISHED.

BID # 000
 REP: Steve Williamson - Frontline Communications
 DEALER: Phil Peterson - Atlantic Emergency Solutions

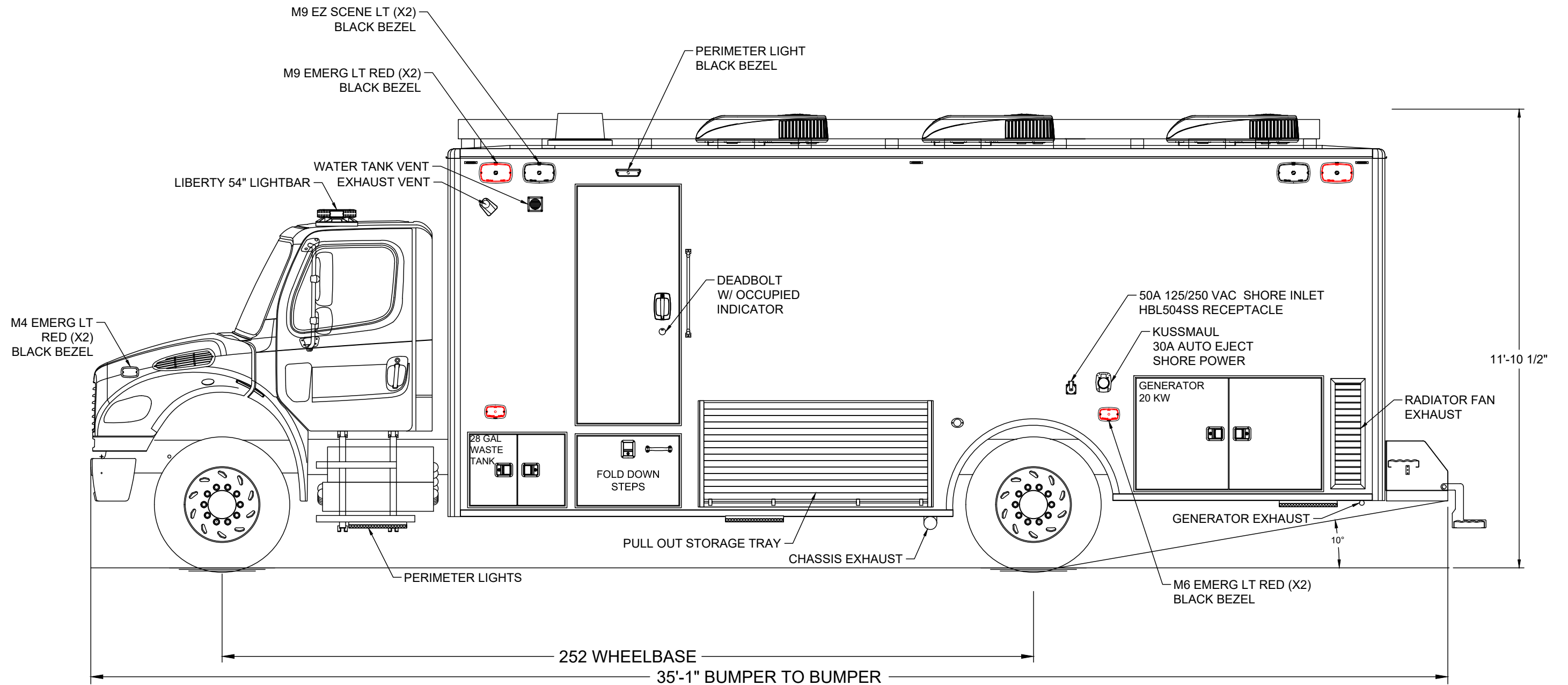
PRELIMINARY USE ONLY
 THIS DRAWING IS FOR REPRESENTATION ONLY. DETAILED ENGINEERING DRAWINGS WILL BE CREATED FOR MANUFACTURING. CHANGES MAY BE REQUIRED TO ACCOMMODATE MANUFACTURING REQUIREMENTS AND CUSTOMER SPECIFICATIONS.

FRONTLINE
 COMMUNICATIONS
A Division of Pierce Manufacturing / An Oshkosh Corporation Business

DRAWN	JRP	DATE	08/25/25
SHEET	1 OF 6	NOT TO SCALE	

Charlotte
 Rehab Unit
 C-35 - M2-106

SIZE	DWG NO.	REV
B	P2023-133	B



NOTES:

- 1) BLACK RUBBER FENDER CROWNS
- 2) CHASSIS & BODY - GRAY ELITE PAINT
- 3) GRAPHICS TBD

THIS DRAWING IS THE PROPERTY OF PIERCE MANUFACTURING. IT IS CONFIDENTIAL AND ALL RIGHTS ARE RESERVED. IT SHALL NOT BE REPRODUCED, COPIED, LENT, OR USED FOR ANY PURPOSE OTHER THAN THAT FOR WHICH IT IS SPECIFICALLY FURNISHED.

BID # 000
REP: Steve Williamson - Frontline Communications
DEALER: Phil Petersen - Atlantic Emergency Solutions

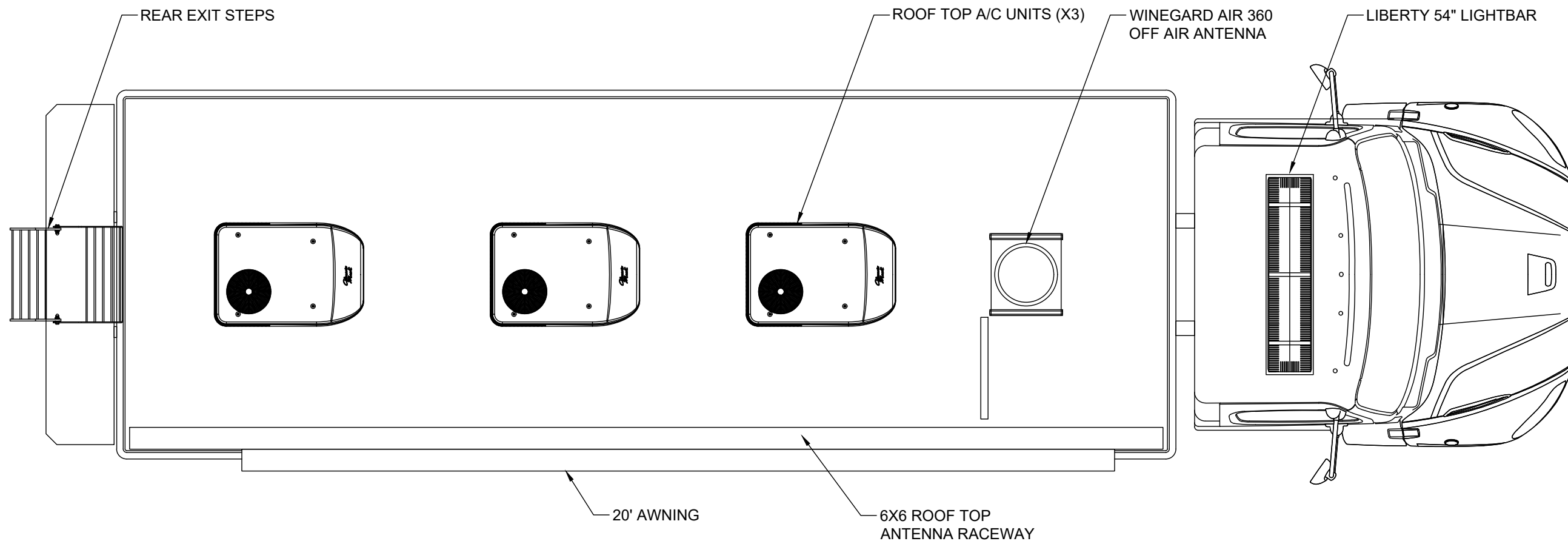
PRELIMINARY USE ONLY
 THIS DRAWING IS FOR REPRESENTATION ONLY. DETAILED ENGINEERING DRAWINGS WILL BE CREATED FOR MANUFACTURING. CHANGES MAY BE REQUIRED TO ACCOMMODATE MANUFACTURING REQUIREMENTS AND CUSTOMER SPECIFICATIONS.

FRONTLINE COMMUNICATIONS
A Division of Pierce Manufacturing / An Oshkosh Corporation Business

DRAWN	JRP	DATE	08/25/25
SHEET	2 OF 6	NOT TO SCALE	

Charlotte Rehab Unit
C-35 - M2-106

SIZE	DWG NO.	REV
B	P2023-133	B



THIS DRAWING IS THE PROPERTY OF PIERCE MANUFACTURING. IT IS CONFIDENTIAL AND ALL RIGHTS ARE RESERVED. IT SHALL NOT BE REPRODUCED, COPIED, LENT, OR USED FOR ANY PURPOSE OTHER THAN THAT FOR WHICH IT IS SPECIFICALLY FURNISHED.

BID # 000
 REP: Steve Williamson - Frontline Communications
 DEALER: Phil Peterson - Atlantic Emergency Solutions

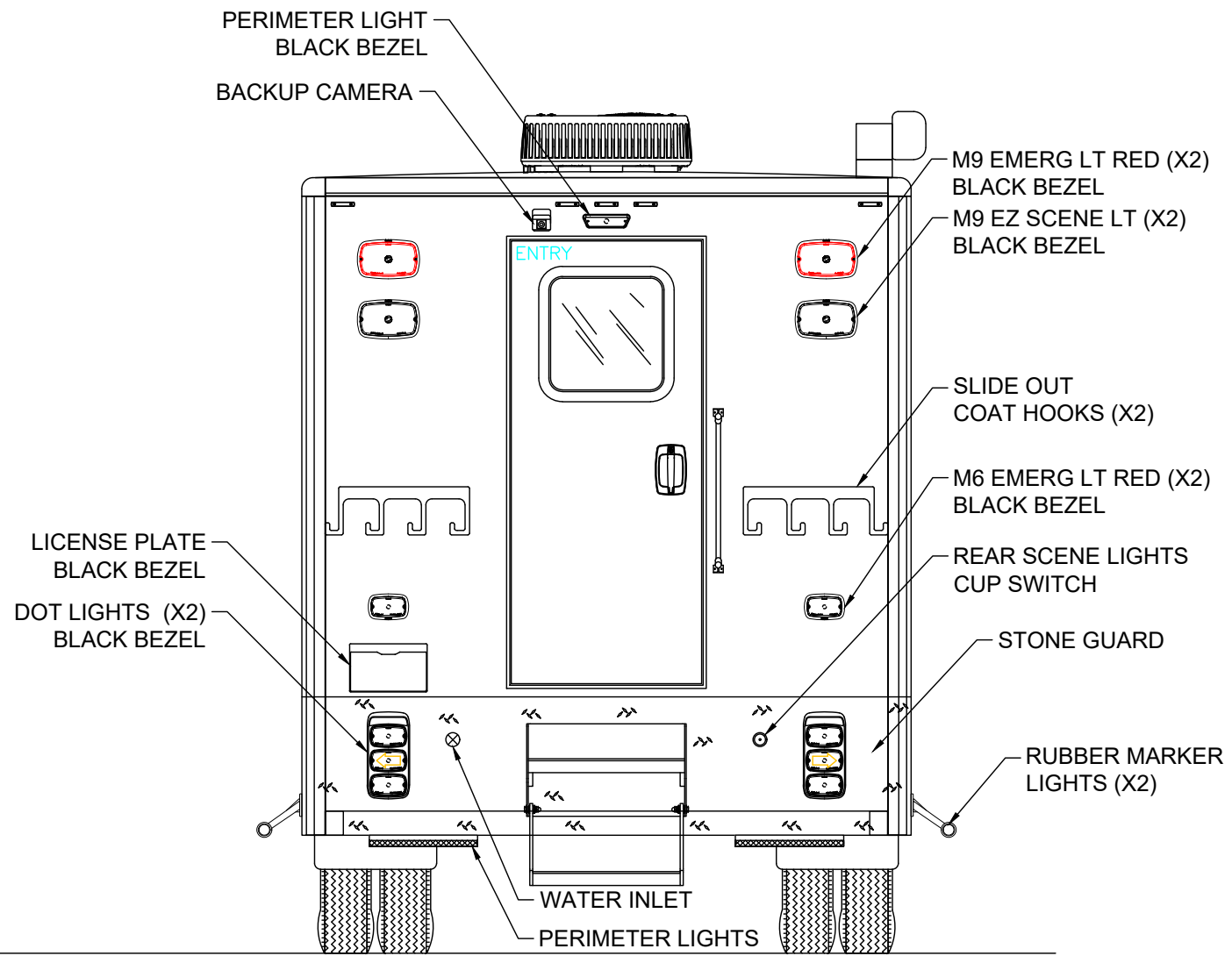
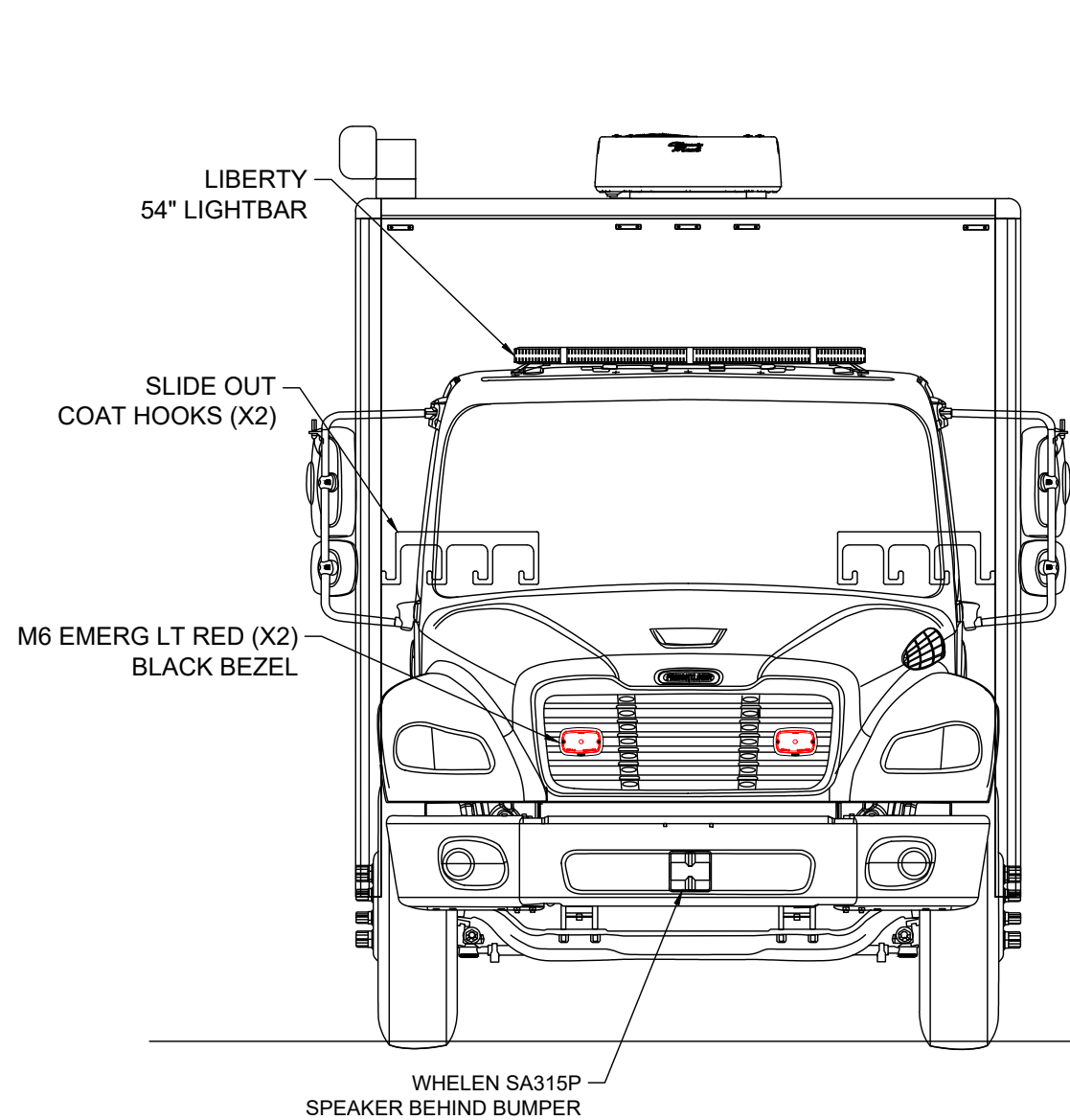
PRELIMINARY USE ONLY
 THIS DRAWING IS FOR REPRESENTATION ONLY. DETAILED ENGINEERING DRAWINGS WILL BE CREATED FOR MANUFACTURING. CHANGES MAY BE REQUIRED TO ACCOMMODATE MANUFACTURING REQUIREMENTS AND CUSTOMER SPECIFICATIONS.



DRAWN JRP DATE 08/25/25
 SHEET 3 OF 6 NOT TO SCALE

Charlotte Rehab Unit
 C-35 - M2-106

SIZE B	DWG NO. P2023-133	REV B
--------	-------------------	-------



THIS DRAWING IS THE PROPERTY OF PIERCE MANUFACTURING. IT IS CONFIDENTIAL AND ALL RIGHTS ARE RESERVED. IT SHALL NOT BE REPRODUCED, COPIED, LENT, OR USED FOR ANY PURPOSE OTHER THAN THAT FOR WHICH IT IS SPECIFICALLY FURNISHED.

BID # 000
 REP: Steve Williamson - Frontline Communications
 DEALER: Phil Peterson - Atlantic Emergency Solutions

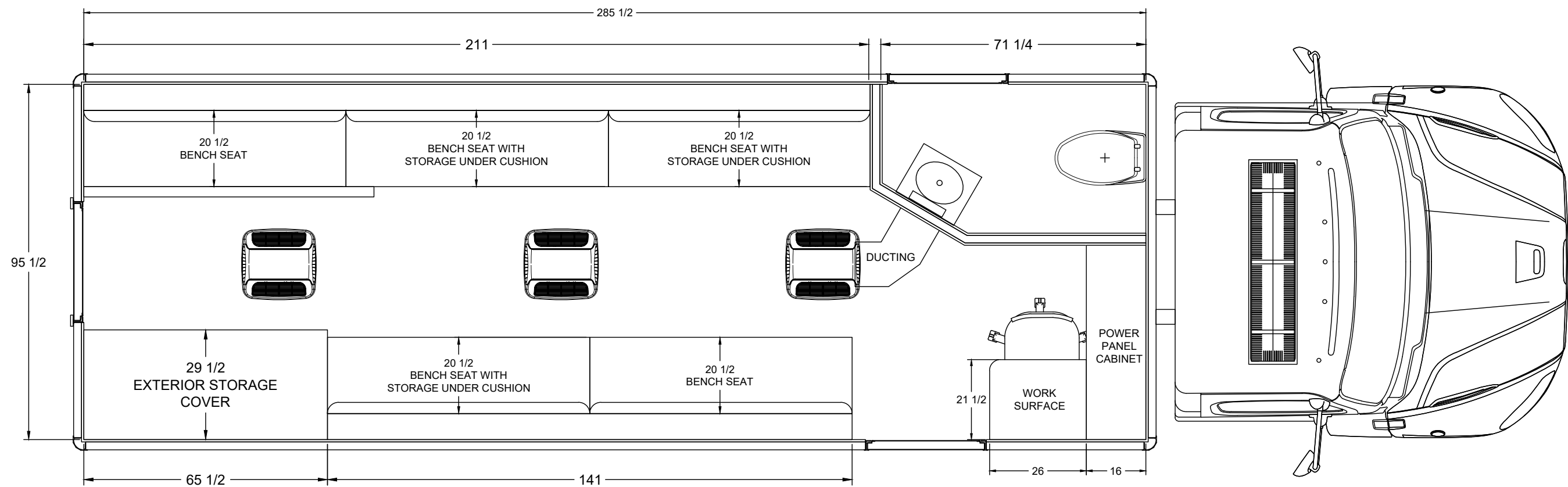
PRELIMINARY USE ONLY
 THIS DRAWING IS FOR REPRESENTATION ONLY. DETAILED ENGINEERING DRAWINGS WILL BE CREATED FOR MANUFACTURING. CHANGES MAY BE REQUIRED TO ACCOMMODATE MANUFACTURING REQUIREMENTS AND CUSTOMER SPECIFICATIONS.

FRONTLINE COMMUNICATIONS
 A Division of Pierce Manufacturing / An Oshkosh Corporation Business

DRAWN	JRP	DATE	08/25/25
SHEET	4 OF 6	NOT TO SCALE	

Charlotte Rehab Unit
 C-35 - M2-106

SIZE	DWG NO.	REV
B	P2023-133	B



NOTES:

- 1) L-TRACK ON FACE OF BENCHES
- 2) WALL SURFACES TO BE GRAY FRP
- 3) FLOOR TO BE BLACK LONSEAL VINYL

THIS DRAWING IS THE PROPERTY OF PIERCE MANUFACTURING. IT IS CONFIDENTIAL AND ALL RIGHTS ARE RESERVED. IT SHALL NOT BE REPRODUCED, COPIED, LENT, OR USED FOR ANY PURPOSE OTHER THAN THAT FOR WHICH IT IS SPECIFICALLY FURNISHED.

BID # 000
REP: Steve Williamson - Frontline Communications
DEALER: Phil Peterson - Atlantic Emergency Solutions

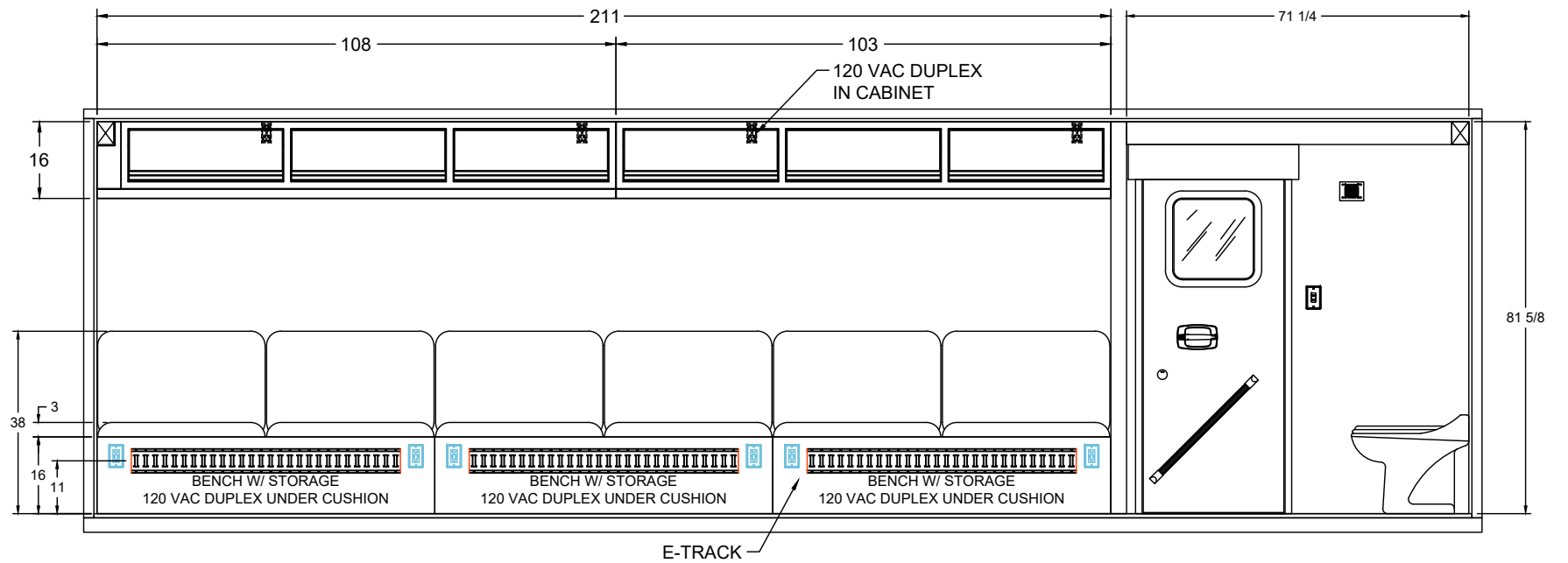
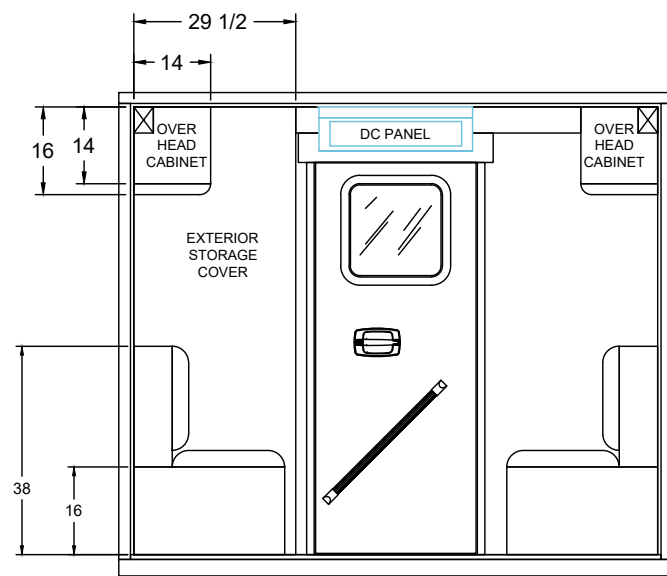
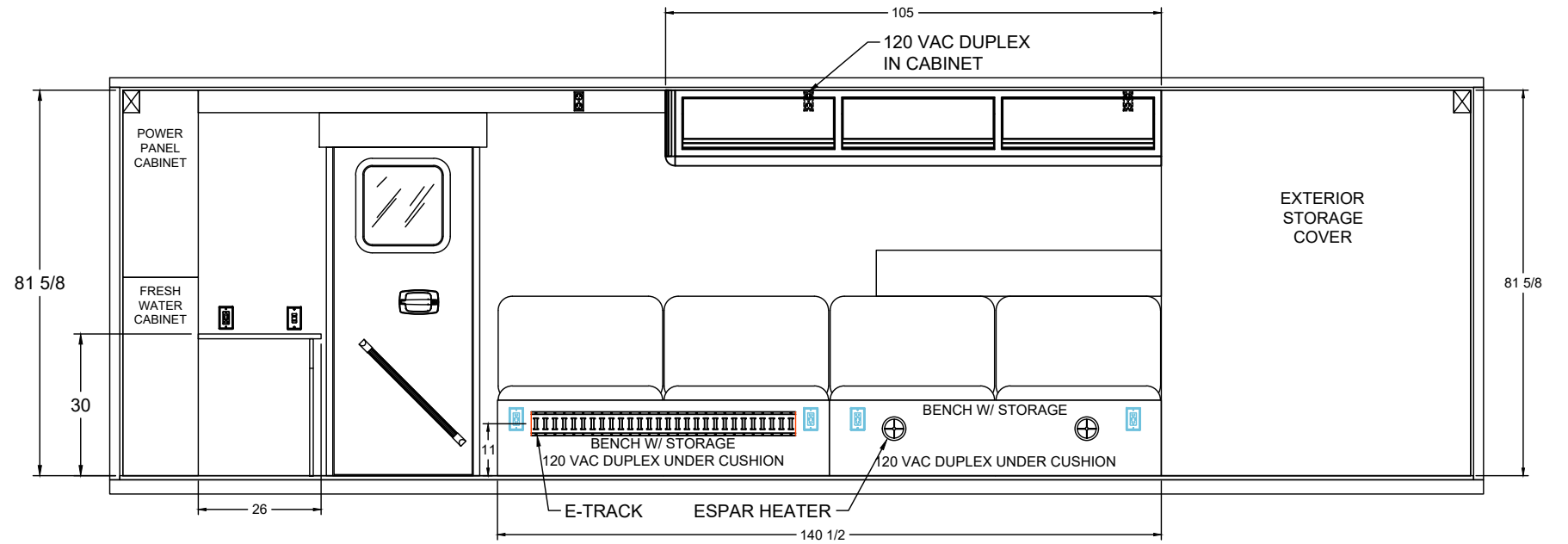
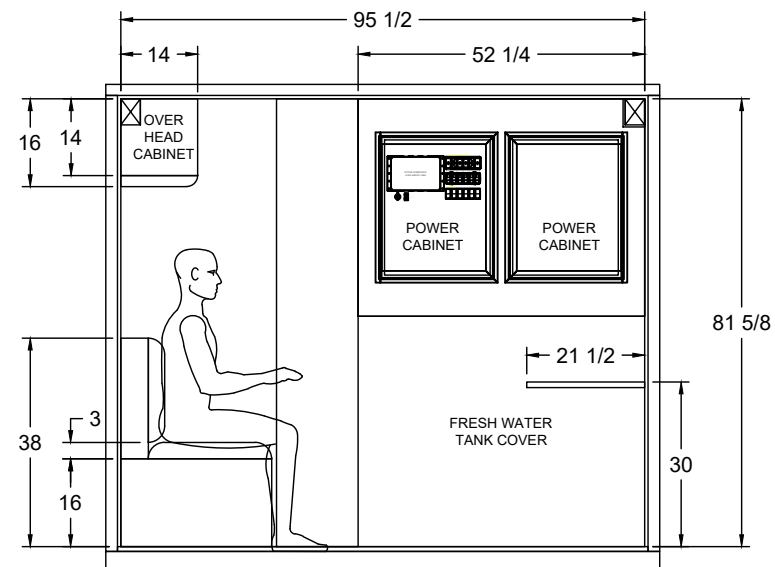
PRELIMINARY USE ONLY
 THIS DRAWING IS FOR REPRESENTATION ONLY. DETAILED ENGINEERING DRAWINGS WILL BE CREATED FOR MANUFACTURING. CHANGES MAY BE REQUIRED TO ACCOMMODATE MANUFACTURING REQUIREMENTS AND CUSTOMER SPECIFICATIONS.



DRAWN JRP **DATE** 08/25/25
SHEET 5 OF 6 **NOT TO SCALE**

Charlotte Rehab Unit
C-35 - M2-106

SIZE	DWG NO.	REV
B	P2023-133	B



- NOTES:
 1) L-TRACK ON FACE OF BENCHES
 2) WALL SURFACES TO BE GRAY FRP

THIS DRAWING IS THE PROPERTY OF PIERCE MANUFACTURING. IT IS CONFIDENTIAL AND ALL RIGHTS ARE RESERVED. IT SHALL NOT BE REPRODUCED, COPIED, LENT, OR USED FOR ANY PURPOSE OTHER THAN THAT FOR WHICH IT IS SPECIFICALLY FURNISHED.

BID # 000
 REP: Steve Williamson - Frontline Communications
 DEALER: Phil Peterson - Atlantic Emergency Solutions

PRELIMINARY USE ONLY
 THIS DRAWING IS FOR REPRESENTATION ONLY. DETAILED ENGINEERING DRAWINGS WILL BE CREATED FOR MANUFACTURING. CHANGES MAY BE REQUIRED TO ACCOMMODATE MANUFACTURING REQUIREMENTS AND CUSTOMER SPECIFICATIONS.



A Division of Pierce Manufacturing / An Oshkosh Corporation Business
 DRAWN JRP DATE 08/25/25
 SHEET 6 OF 6 NOT TO SCALE

Charlotte Rehab Unit
 C-35 - M2-106

SIZE B DWG NO. P2023-133 REV B