

THIS DRAWING IS THE PROPERTY OF PIERCE MANUFACTURING. IT IS CONFIDENTIAL AND ALL RIGHTS ARE RESERVED. IT SHALL NOT BE REPRODUCED, COPIED, LENT, OR USED FOR ANY PURPOSE OTHER THAN THAT FOR WHICH IT IS SPECIFICALLY FURNISHED.

BID # 000
 REP: Andy Callaway - Frontline Communications
 DEALER: Siddons-Martin Emergency Group

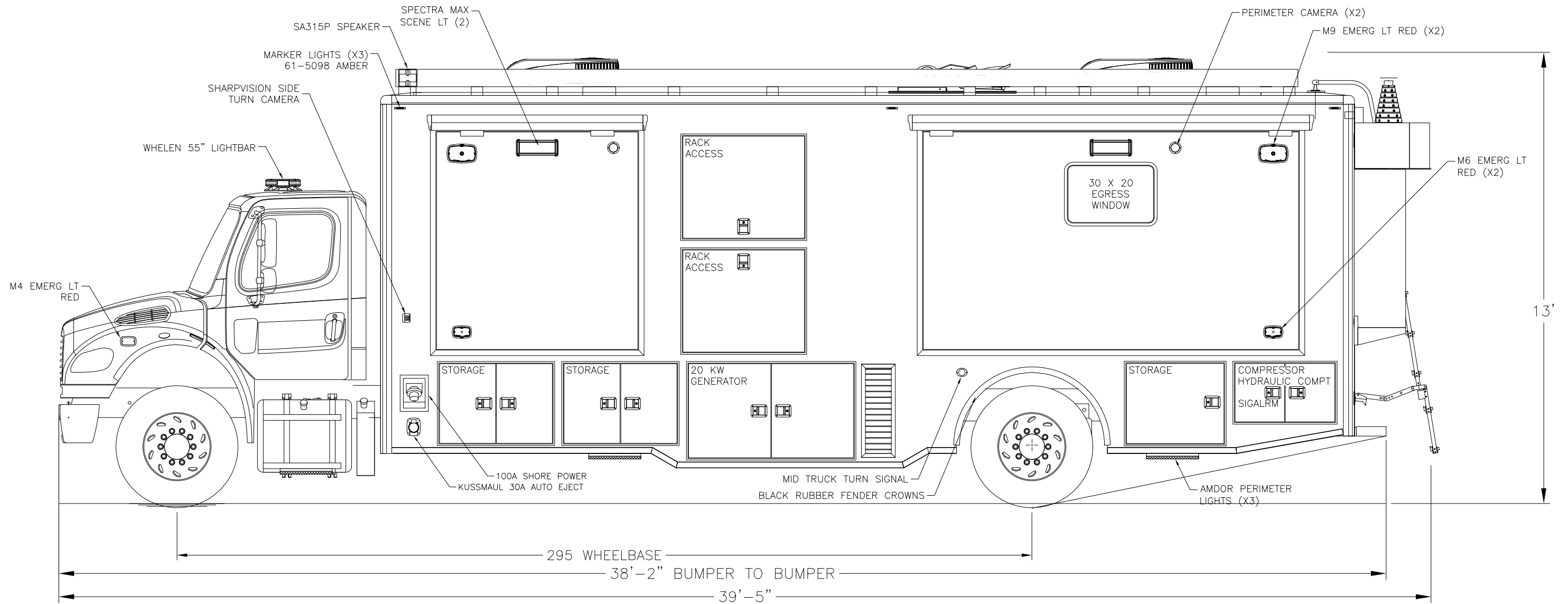
PRELIMINARY USE ONLY
 THIS DRAWING IS FOR REPRESENTATION ONLY. DETAILED ENGINEERING DRAWINGS WILL BE CREATED FOR MANUFACTURING. CHANGES MAY BE REQUIRED TO ACCOMMODATE MANUFACTURING REQUIREMENTS AND CUSTOMER SPECIFICATIONS.

FRONTLINE
COMMUNICATIONS
 An Oshkosh Corporation Company

DRAWN JRP DATE 01/28/25
 SHEET 1 OF 6 NOT TO SCALE

Fort Worth Fire
 Mobile Command Unit
 C-40 X-4 - M2-106

SIZE B DWG NO. 054476 REV A



THIS DRAWING IS THE PROPERTY OF PIERCE MANUFACTURING. IT IS CONFIDENTIAL AND ALL RIGHTS ARE RESERVED. IT SHALL NOT BE REPRODUCED, COPIED, LENT, OR USED FOR ANY PURPOSE OTHER THAN THAT FOR WHICH IT IS SPECIFICALLY FURNISHED.

BID # 000
 REP: Andy Callaway - Frontline Communications
 DEALER: Siddons-Martin Emergency Group

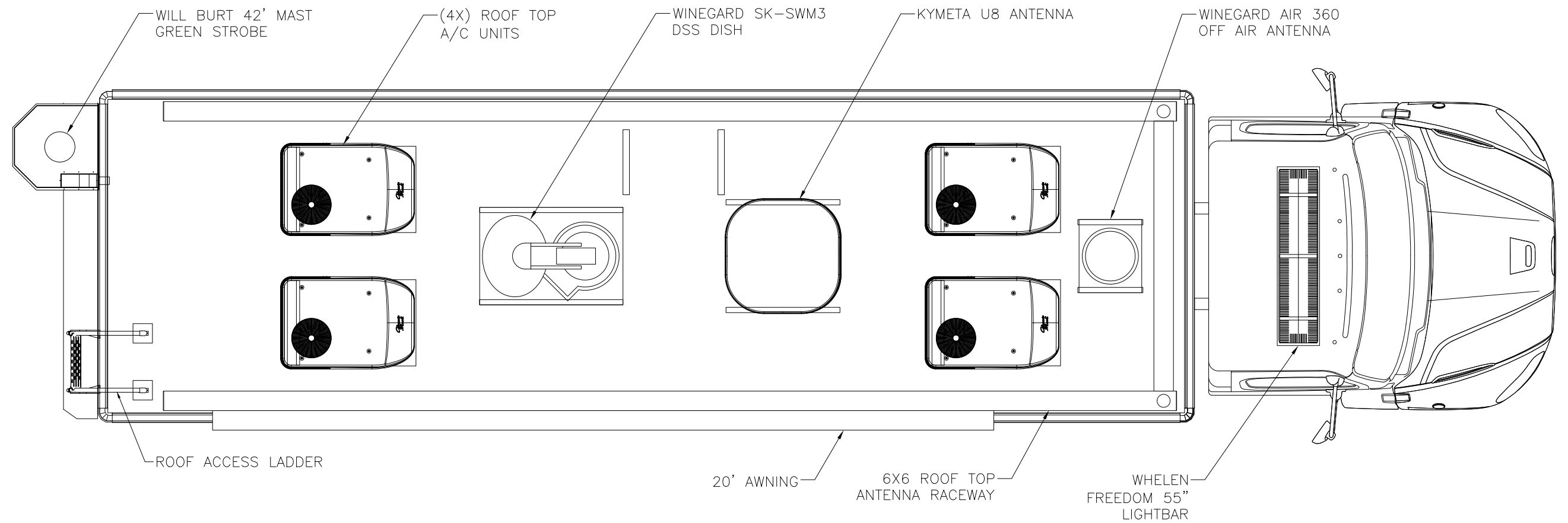
PRELIMINARY USE ONLY
 THIS DRAWING IS FOR REPRESENTATION ONLY. DETAILED ENGINEERING DRAWINGS WILL BE CREATED FOR MANUFACTURING. CHANGES MAY BE REQUIRED TO ACCOMMODATE MANUFACTURING REQUIREMENTS AND CUSTOMER SPECIFICATIONS.

FRONTLINE
COMMUNICATIONS
 An Oshkosh Corporation Company

Fort Worth Fire
 Mobile Command Unit
 C-40 X-4 - M2-106

DRAWN	JRP	DATE	01/28/25
SHEET	2 OF 6	NOT TO SCALE	

SIZE	DWG NO.	REV
B	054476	A



THIS DRAWING IS THE PROPERTY OF PIERCE MANUFACTURING. IT IS CONFIDENTIAL AND ALL RIGHTS ARE RESERVED. IT SHALL NOT BE REPRODUCED, COPIED, LENT, OR USED FOR ANY PURPOSE OTHER THAN THAT FOR WHICH IT IS SPECIFICALLY FURNISHED.

BID # 000
 REP: Andy Callaway - Frontline Communications
 DEALER: Siddons-Martin Emergency Group

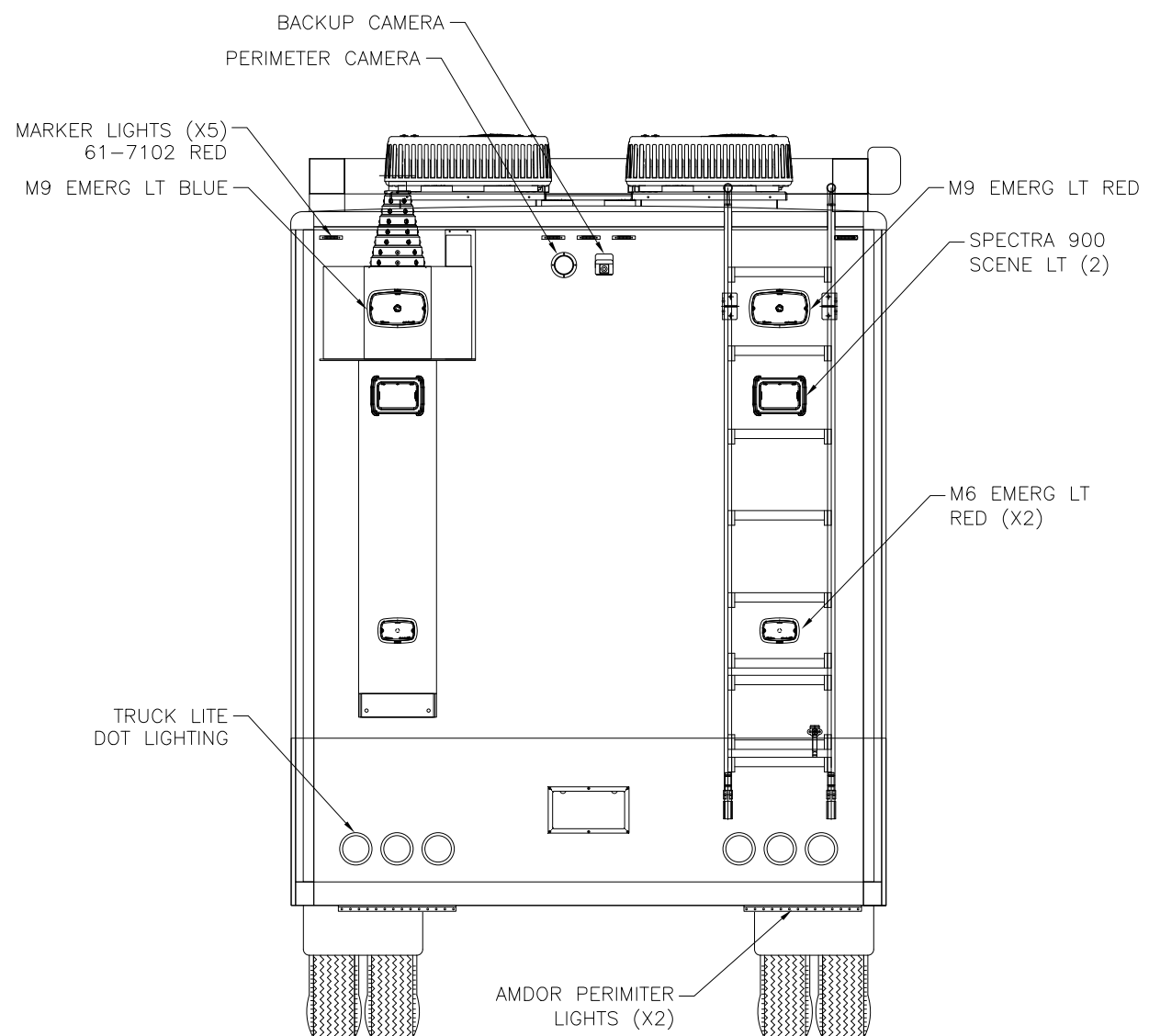
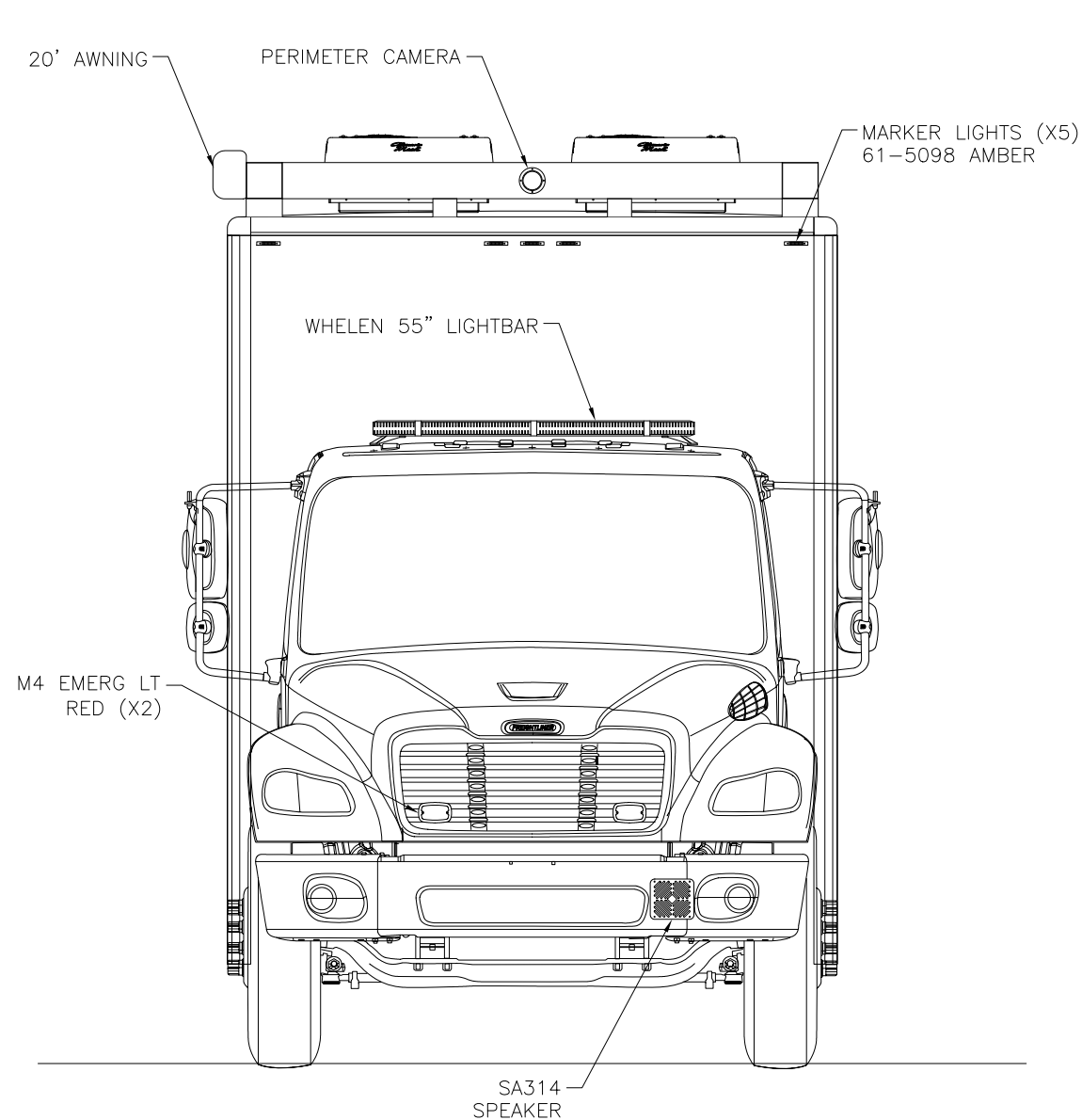
PRELIMINARY USE ONLY
 THIS DRAWING IS FOR REPRESENTATION ONLY. DETAILED ENGINEERING DRAWINGS WILL BE CREATED FOR MANUFACTURING. CHANGES MAY BE REQUIRED TO ACCOMMODATE MANUFACTURING REQUIREMENTS AND CUSTOMER SPECIFICATIONS.

FRONTLINE COMMUNICATIONS
 An Oshkosh Corporation Company

DRAWN	JRP	DATE	01/28/25
SHEET	3 OF 6	NOT TO SCALE	

Fort Worth Fire
 Mobile Command Unit
 C-40 X-4 - M2-106

SIZE	DWG NO.	REV
B	054476	A



THIS DRAWING IS THE PROPERTY OF PIERCE MANUFACTURING. IT IS CONFIDENTIAL AND ALL RIGHTS ARE RESERVED. IT SHALL NOT BE REPRODUCED, COPIED, LENT, OR USED FOR ANY PURPOSE OTHER THAN THAT FOR WHICH IT IS SPECIFICALLY FURNISHED.

BID # 000
 REP: Andy Callaway - Frontline Communications
 DEALER: Siddons-Martin Emergency Group

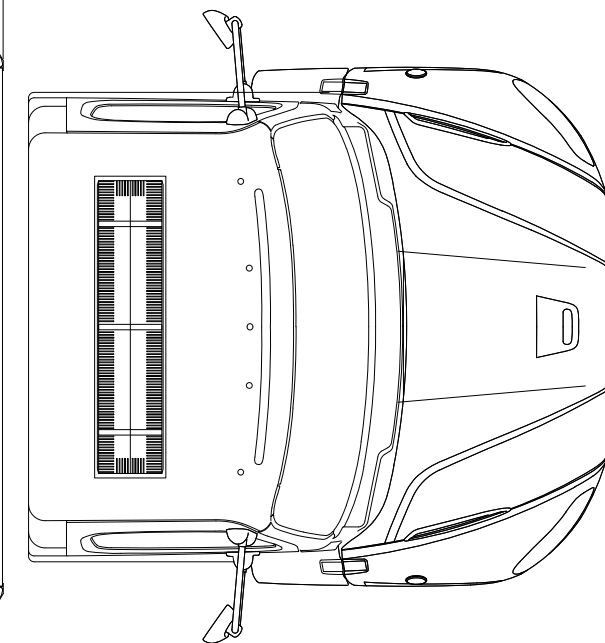
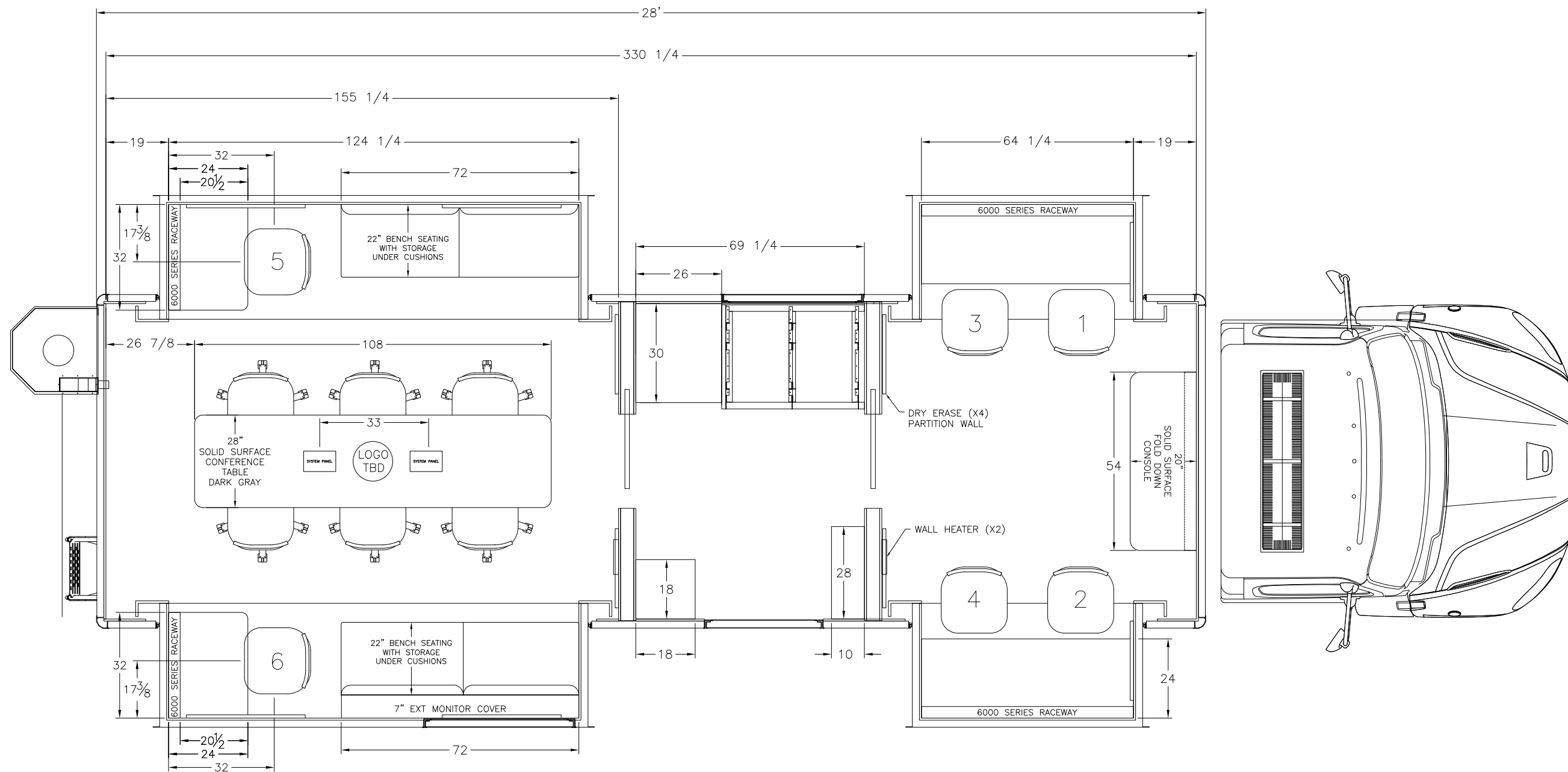
PRELIMINARY USE ONLY
 THIS DRAWING IS FOR REPRESENTATION ONLY. DETAILED ENGINEERING DRAWINGS WILL BE CREATED FOR MANUFACTURING. CHANGES MAY BE REQUIRED TO ACCOMMODATE MANUFACTURING REQUIREMENTS AND CUSTOMER SPECIFICATIONS.



Fort Worth Fire
 Mobile Command Unit
 C-40 X-4 - M2-106

DRAWN JRP DATE 01/28/25
 SHEET 4 OF 6 NOT TO SCALE

SIZE B DWG NO. 054476 REV A



THIS DRAWING IS THE PROPERTY OF PIERCE MANUFACTURING. IT IS CONFIDENTIAL AND ALL RIGHTS ARE RESERVED. IT SHALL NOT BE REPRODUCED, COPIED, LENT, OR USED FOR ANY PURPOSE OTHER THAN THAT FOR WHICH IT IS SPECIFICALLY FURNISHED.

BID # 000
 REP: Andy Callaway - Frontline Communications
 DEALER: Siddons-Martin Emergency Group

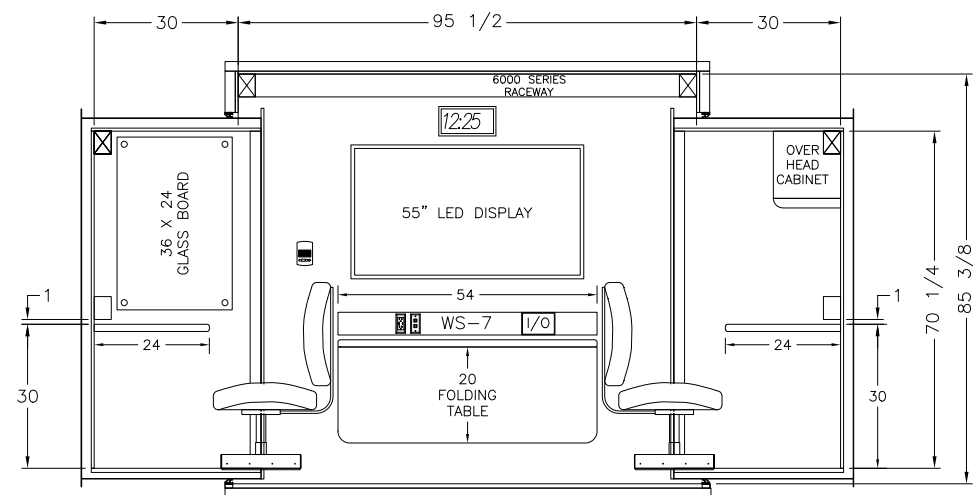
PRELIMINARY USE ONLY
 THIS DRAWING IS FOR REPRESENTATION ONLY. DETAILED ENGINEERING DRAWINGS WILL BE CREATED FOR MANUFACTURING. CHANGES MAY BE REQUIRED TO ACCOMMODATE MANUFACTURING REQUIREMENTS AND CUSTOMER SPECIFICATIONS.

FRONTLINE
COMMUNICATIONS
 An Oshkosh Corporation Company

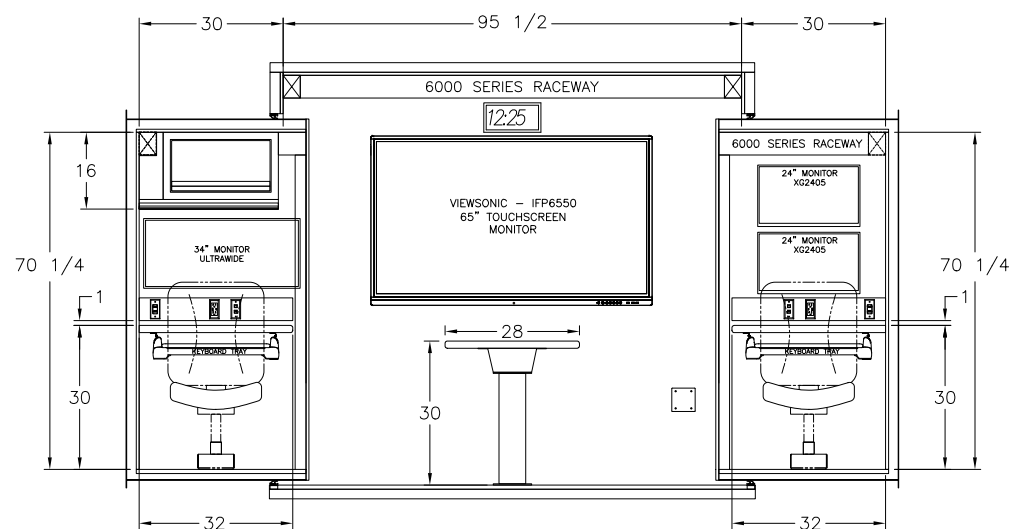
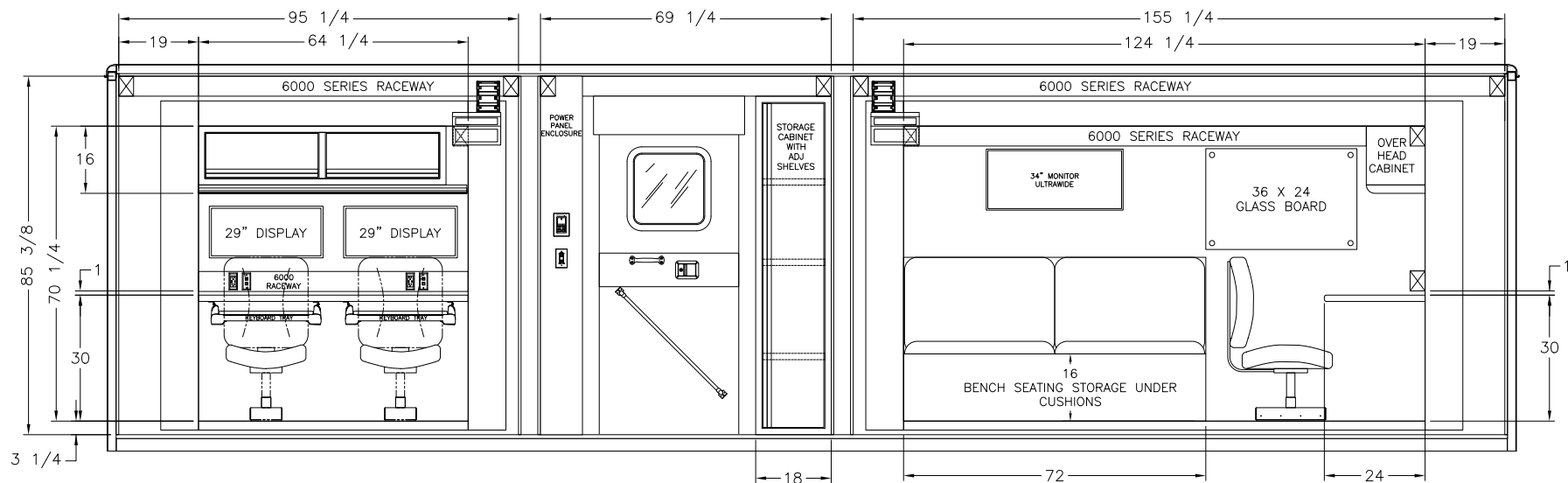
Fort Worth Fire
 Mobile Command Unit
 C-40 X-4 - M2-106

DRAWN JRP DATE 01/28/25
 SHEET 5 OF 6 NOT TO SCALE

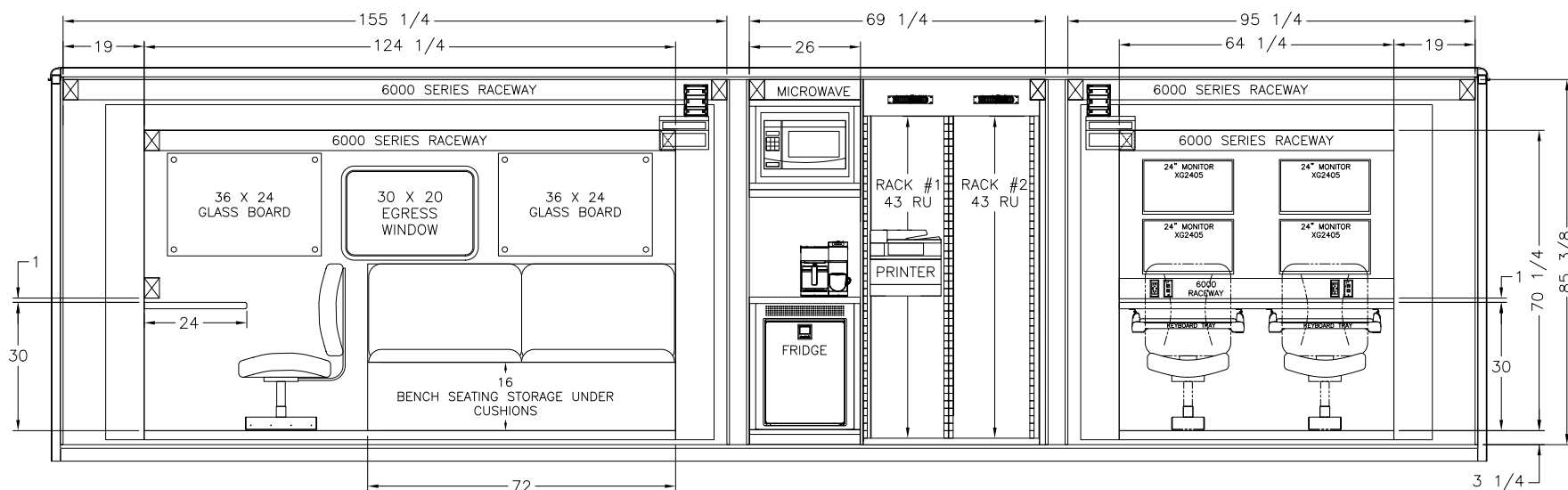
SIZE B DWG NO. 054476 REV A



FRONT WALL



REAR WALL



THIS DRAWING IS THE PROPERTY OF PIERCE MANUFACTURING. IT IS CONFIDENTIAL AND ALL RIGHTS ARE RESERVED. IT SHALL NOT BE REPRODUCED, COPIED, LENT, OR USED FOR ANY PURPOSE OTHER THAN THAT FOR WHICH IT IS SPECIFICALLY FURNISHED.

BID # 000
 REP: Andy Callaway - Frontline Communications
 DEALER: Siddons-Martin Emergency Group

PRELIMINARY USE ONLY
 THIS DRAWING IS FOR REPRESENTATION ONLY. DETAILED ENGINEERING DRAWINGS WILL BE CREATED FOR MANUFACTURING. CHANGES MAY BE REQUIRED TO ACCOMMODATE MANUFACTURING REQUIREMENTS AND CUSTOMER SPECIFICATIONS.

FRONTLINE
COMMUNICATIONS
 An Oshkosh Corporation Company

DRAWN JRP DATE 01/28/25
 SHEET 6 OF 6 NOT TO SCALE

Fort Worth Fire
 Mobile Command Unit
 C-40 X-4 - M2-106

SIZE B DWG NO. 054476 REV A