

CURB SIDE EXTERIOR ELEVATION

THIS DRAWING IS THE PROPERTY OF FRONTLINE COMMUNICATIONS. IT IS CONFIDENTIAL AND ALL RIGHTS ARE RESERVED. IT SHALL NOT BE REPRODUCED, COPIED, LENT, OR USED FOR ANY PURPOSE OTHER THAN THAT FOR WHICH IT IS SPECIFICALLY FURNISHED.

FRONTLINE COMMUNICATIONS
An Oshkosh Corporation Company
12770 44th Street North
Clearwater, FL 33762
Phone (727) 573-0400
www.frontlinecomm.com

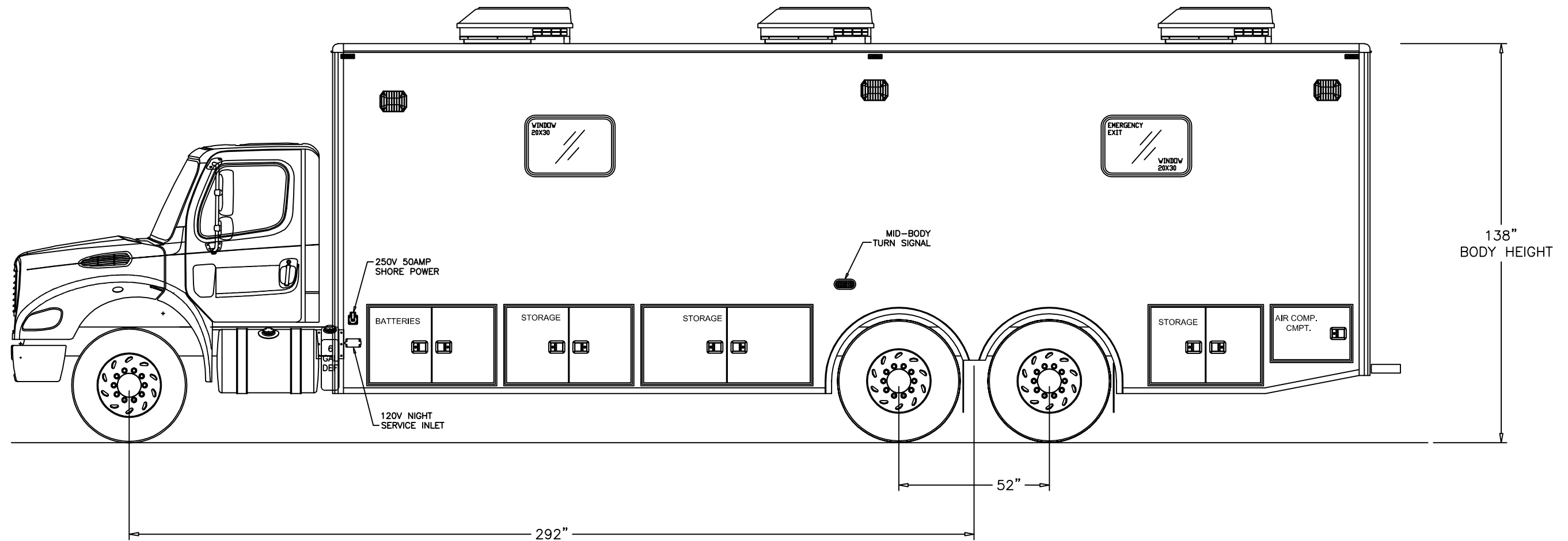


PRELIMINARY USE ONLY
THIS DRAWING IS FOR REPRESENTATION ONLY. DETAILED ENGINEERING DRAWINGS WILL BE CREATED FOR MANUFACTURING. CHANGES MAY BE REQUIRED TO ACCOMMODATE MANUFACTURING REQUIREMENTS AND CUSTOMER SPECIFICATIONS.

HGAC - IC15
C-40 Freightliner M2-106
Mobile Command Vehicle

DRAWN	J.Chriss	DATE	5-5-16
SHEET	1 OF 5	NOT TO SCALE	

SIZE	DWG NO.	REV
B	047257	-



STREET SIDE EXTERIOR ELEVATION

THIS DRAWING IS THE PROPERTY OF FRONTLINE COMMUNICATIONS. IT IS CONFIDENTIAL AND ALL RIGHTS ARE RESERVED. IT SHALL NOT BE REPRODUCED, COPIED, LENT, OR USED FOR ANY PURPOSE OTHER THAN THAT FOR WHICH IT IS SPECIFICALLY FURNISHED.

FRONTLINE COMMUNICATIONS
 An Oshkosh Corporation Company
 12770 44th Street North
 Clearwater, FL 33762
 Phone (727) 573-0400
 www.frontlinecomm.com

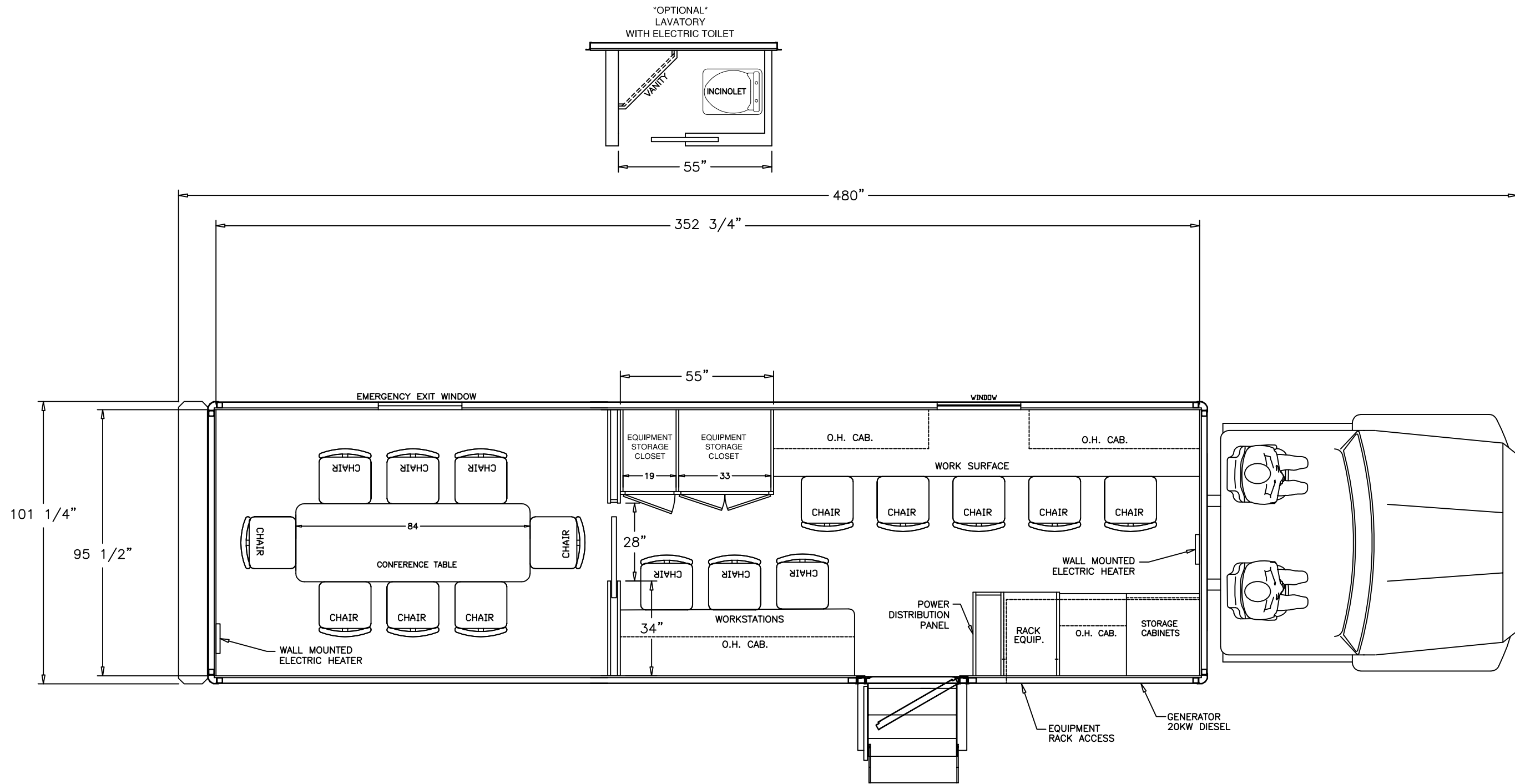


PRELIMINARY USE ONLY
 THIS DRAWING IS FOR REPRESENTATION ONLY. DETAILED ENGINEERING DRAWINGS WILL BE CREATED FOR MANUFACTURING. CHANGES MAY BE REQUIRED TO ACCOMMODATE MANUFACTURING REQUIREMENTS AND CUSTOMER SPECIFICATIONS.

HGAC - IC15
C-40 Freightliner M2-106
Mobile Command Vehicle

DRAWN	J.Chriss	DATE	5-5-16
SHEET	2 OF 5	NOT TO SCALE	

SIZE	DWG NO.	REV
B	047257	-



THIS DRAWING IS THE PROPERTY OF FRONTLINE COMMUNICATIONS. IT IS CONFIDENTIAL AND ALL RIGHTS ARE RESERVED. IT SHALL NOT BE REPRODUCED, COPIED, LENT, OR USED FOR ANY PURPOSE OTHER THAN THAT FOR WHICH IT IS SPECIFICALLY FURNISHED.

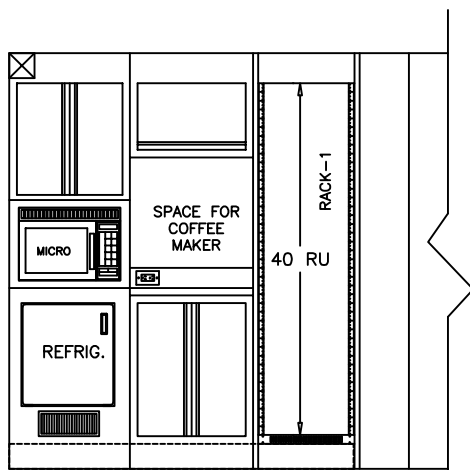
FRONTLINE COMMUNICATIONS
 An Oshkosh Corporation Company
 12770 44th Street North
 Clearwater, FL 33762
 Phone (727) 573-0400
 www.frontlinecomm.com



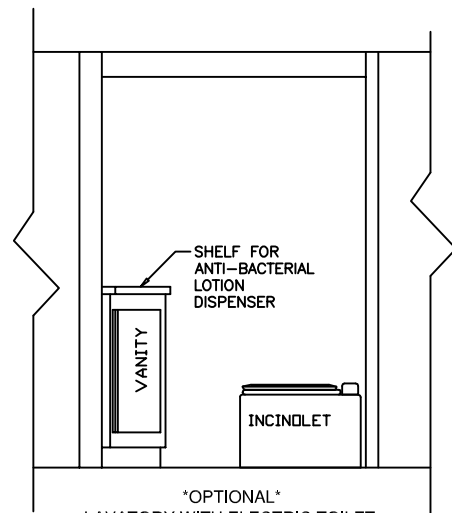
PRELIMINARY USE ONLY
 THIS DRAWING IS FOR REPRESENTATION ONLY. DETAILED ENGINEERING DRAWINGS WILL BE CREATED FOR MANUFACTURING. CHANGES MAY BE REQUIRED TO ACCOMMODATE MANUFACTURING REQUIREMENTS AND CUSTOMER SPECIFICATIONS.

HGAC - IC15 C-40 Freightliner M2-106 Mobile Command Vehicle

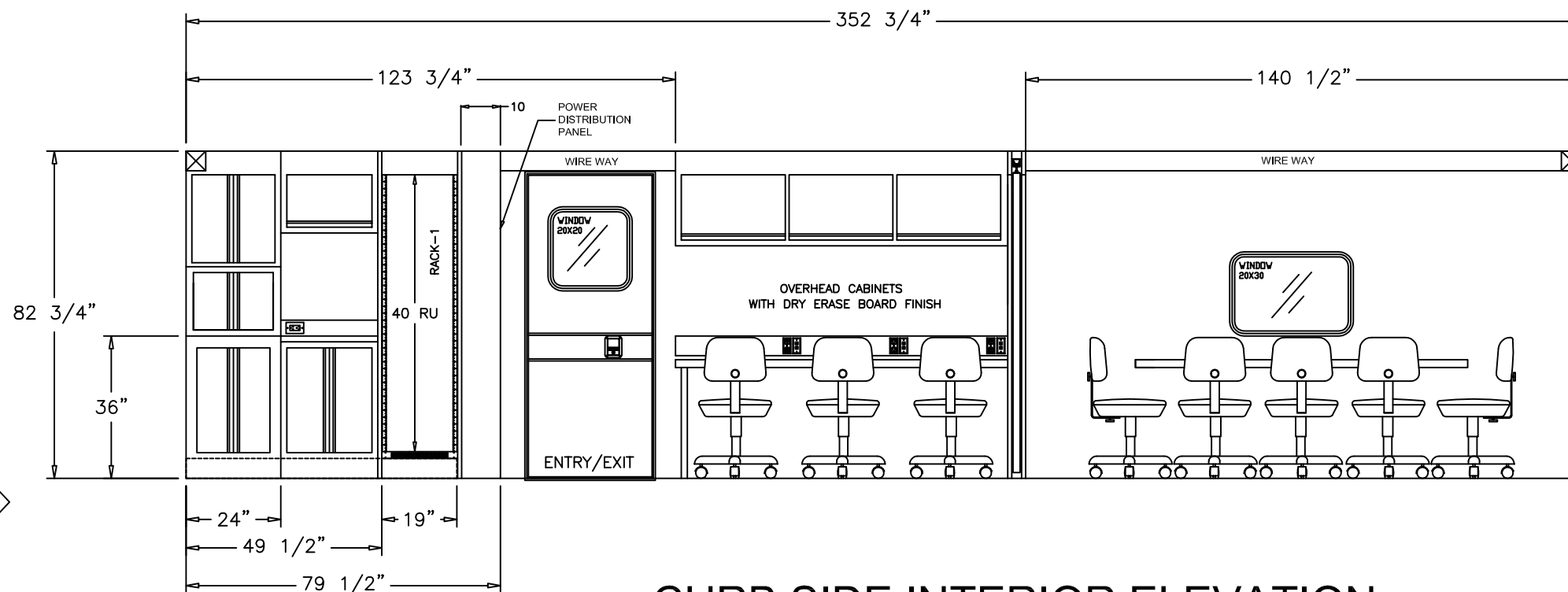
DRAWN	J.Chriss	DATE	5-5-16	SIZE	DWG NO.	REV
SHEET	3 OF 5	NOT TO SCALE		B	047257	-



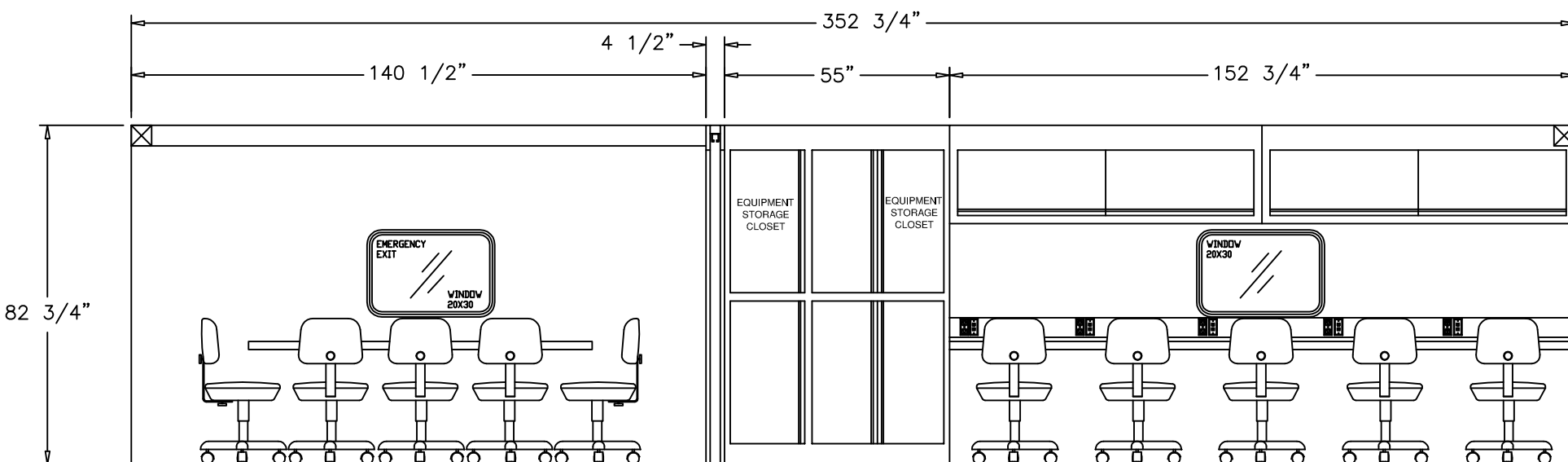
OPTIONAL GALLEY WITH MICROWAVE REFRIGERATOR AND COFFEE MAKER (REPLACES STORAGE CABINETS)



OPTIONAL LAVATORY WITH ELECTRIC TOILET (REPLACES EQUIPMENT CLOSETS)



CURB SIDE INTERIOR ELEVATION



STREET SIDE INTERIOR ELEVATION

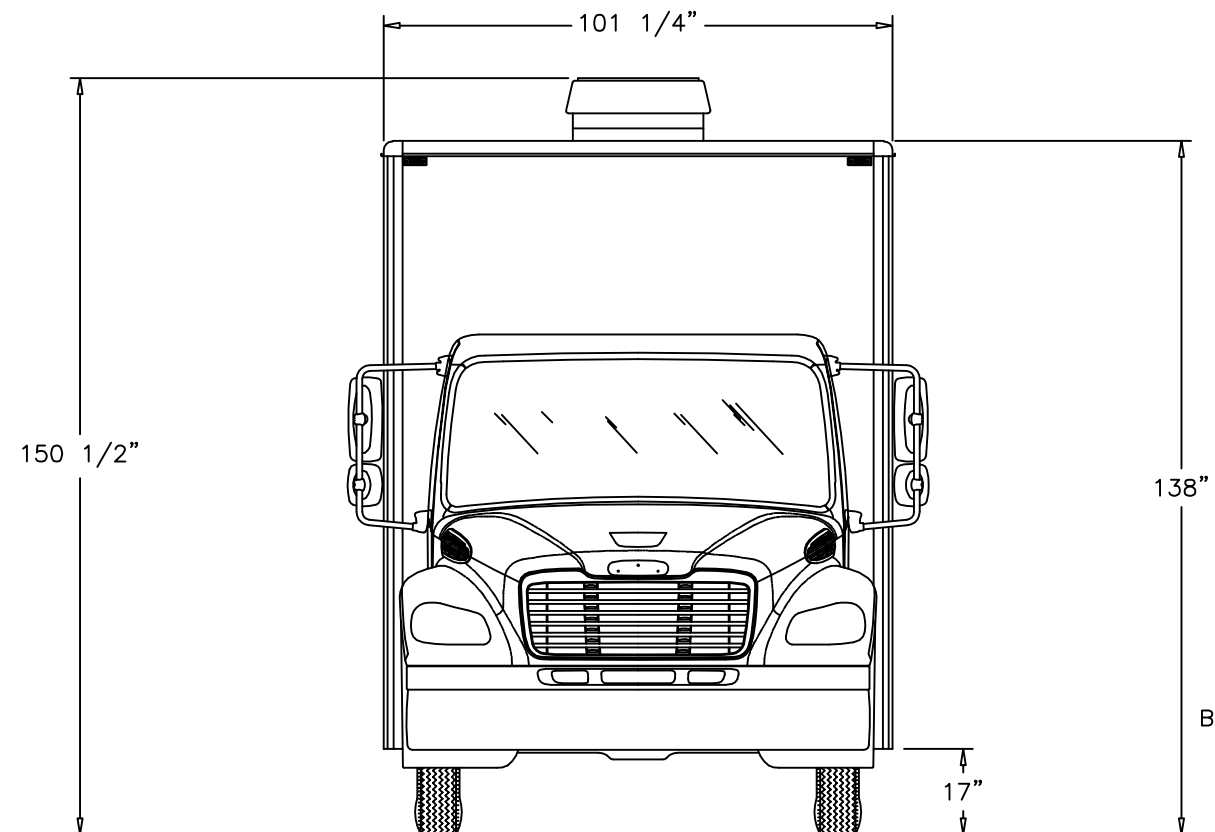
THIS DRAWING IS THE PROPERTY OF FRONTLINE COMMUNICATIONS. IT IS CONFIDENTIAL AND ALL RIGHTS ARE RESERVED. IT SHALL NOT BE REPRODUCED, COPIED, LENT, OR USED FOR ANY PURPOSE OTHER THAN THAT FOR WHICH IT IS SPECIFICALLY FURNISHED.

FRONTLINE COMMUNICATIONS
 An Oshkosh Corporation Company
 12770 44th Street North
 Clearwater, FL 33762
 Phone (727) 573-0400
 www.frontlinecomm.com

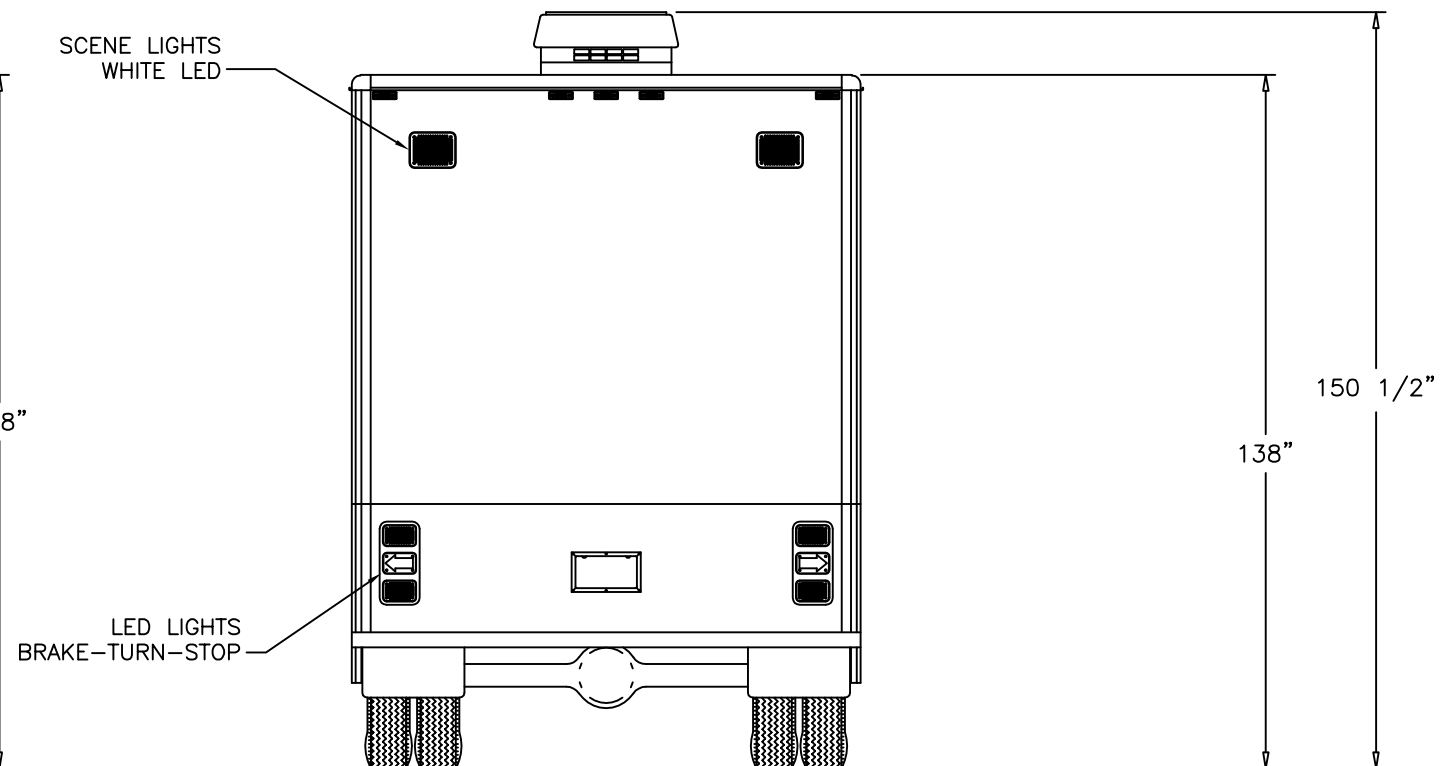
PRELIMINARY USE ONLY
 THIS DRAWING IS FOR REPRESENTATION ONLY. DETAILED ENGINEERING DRAWINGS WILL BE CREATED FOR MANUFACTURING. CHANGES MAY BE REQUIRED TO ACCOMMODATE MANUFACTURING REQUIREMENTS AND CUSTOMER SPECIFICATIONS.

HGAC - IC15
C-40 Freightliner M2-106
Mobile Command Vehicle

DRAWN	J.Chriss	DATE	5-5-16	SIZE	DWG NO.	REV
SHEET	4 OF 5	NOT TO SCALE		B	047257	-



FRONT EXTERIOR



REAR ELEVATION

THIS DRAWING IS THE PROPERTY OF FRONTLINE COMMUNICATIONS. IT IS CONFIDENTIAL AND ALL RIGHTS ARE RESERVED. IT SHALL NOT BE REPRODUCED, COPIED, LENT, OR USED FOR ANY PURPOSE OTHER THAN THAT FOR WHICH IT IS SPECIFICALLY FURNISHED.

FRONTLINE COMMUNICATIONS
 12770 44th Street North
 Clearwater, FL 33762
 Phone (727) 573-0400
 www.frontlinecomm.com

OSHKOSH
 An Oshkosh Corporation Company

PRELIMINARY USE ONLY
 THIS DRAWING IS FOR REPRESENTATION ONLY. DETAILED ENGINEERING DRAWINGS WILL BE CREATED FOR MANUFACTURING. CHANGES MAY BE REQUIRED TO ACCOMMODATE MANUFACTURING REQUIREMENTS AND CUSTOMER SPECIFICATIONS.

HGAC - IC15
C-40 Freightliner M2-106
Mobile Command Vehicle

DRAWN	J.Chriss	DATE	5-5-16
SHEET	5 OF 5	NOT TO SCALE	

SIZE	DWG NO.	REV
B	047257	-