

## CURB SIDE EXTERIOR ELEVATION

THIS DRAWING IS THE PROPERTY OF FRONTLINE COMMUNICATIONS. IT IS CONFIDENTIAL AND ALL RIGHTS ARE RESERVED. IT SHALL NOT BE REPRODUCED, COPIED, LENT, OR USED FOR ANY PURPOSE OTHER THAN THAT FOR WHICH IT IS SPECIFICALLY FURNISHED.

**FRONTLINE COMMUNICATIONS**  
 12770 44th Street North  
 Clearwater, FL 33762  
 Phone (727) 573-0400  
 www.frontlinecomm.com

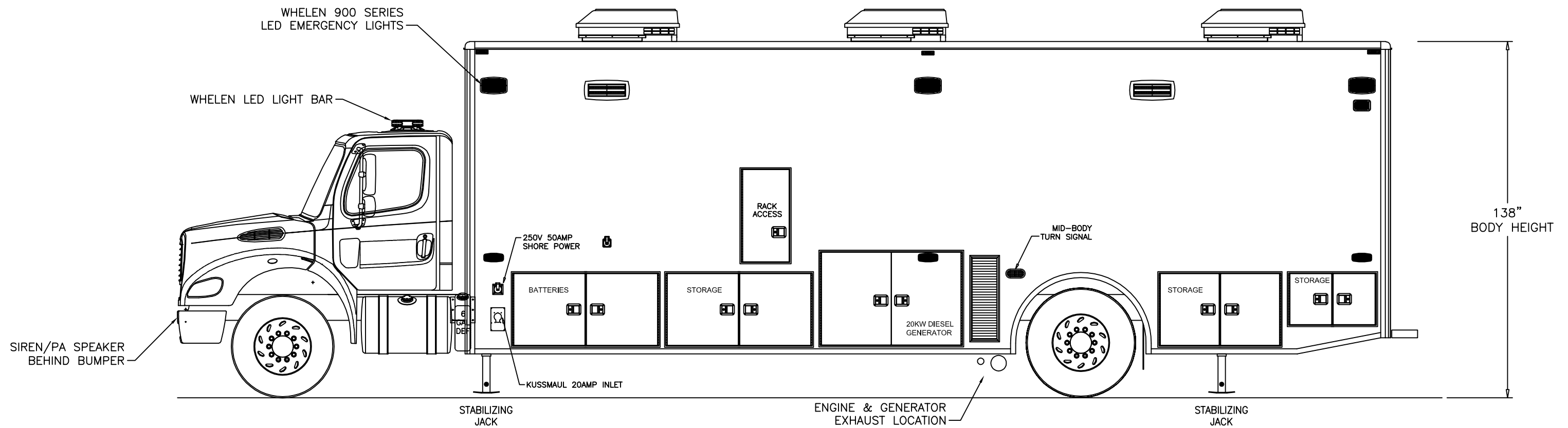


**PRELIMINARY USE ONLY**  
 THIS DRAWING IS FOR REPRESENTATION ONLY. DETAILED ENGINEERING DRAWINGS WILL BE CREATED FOR MANUFACTURING. CHANGES MAY BE REQUIRED TO ACCOMMODATE MANUFACTURING REQUIREMENTS AND CUSTOMER SPECIFICATIONS.

**HGAC - IC14**  
**C-40 Incident Support**  
**Freightliner - M2-106**

DRAWN	J.Chriss	DATE	5-12-16	SIZE	DWG NO.	REV
SHEET	1 OF 5	NOT TO SCALE	B	047256	-	

SOME OPTIONAL FEATURES MAY BE SHOWN FOR REFERENCE ONLY - BUT CAN BE PURCHASED AT ADDITIONAL COST.



## STREET SIDE EXTERIOR ELEVATION

THIS DRAWING IS THE PROPERTY OF FRONTLINE COMMUNICATIONS. IT IS CONFIDENTIAL AND ALL RIGHTS ARE RESERVED. IT SHALL NOT BE REPRODUCED, COPIED, LENT, OR USED FOR ANY PURPOSE OTHER THAN THAT FOR WHICH IT IS SPECIFICALLY FURNISHED.

**FRONTLINE COMMUNICATIONS**  
 12770 44th Street North  
 Clearwater, FL 33762  
 Phone (727) 573-0400  
 www.frontlinecomm.com

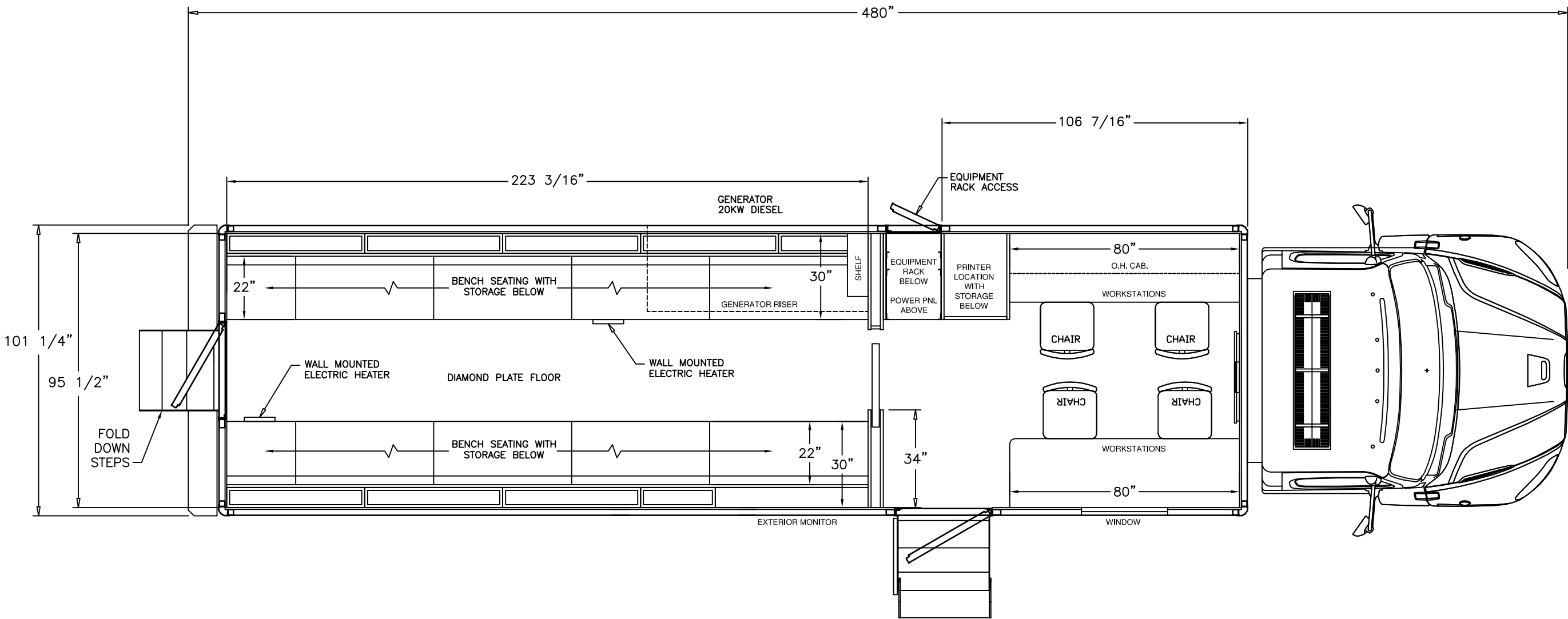
**OSHKOSH**  
 An Oshkosh Corporation Company

**PRELIMINARY USE ONLY**  
 THIS DRAWING IS FOR REPRESENTATION ONLY. DETAILED ENGINEERING DRAWINGS WILL BE CREATED FOR MANUFACTURING. CHANGES MAY BE REQUIRED TO ACCOMMODATE MANUFACTURING REQUIREMENTS AND CUSTOMER SPECIFICATIONS.

**HGAC - IC14**  
**C-40 Incident Support**  
**Freightliner - M2-106**

DRAWN	J.Chriss	DATE	5-12-16	SIZE	DWG NO.	REV
SHEET	2 OF 5	NOT TO SCALE		<b>B</b>	<b>047256</b>	-

SOME OPTIONAL FEATURES MAY BE SHOWN FOR REFERENCE ONLY – BUT CAN BE PURCHASED AT ADDITIONAL COST.



## FLOOR PLAN VIEW

THIS DRAWING IS THE PROPERTY OF FRONTLINE COMMUNICATIONS. IT IS CONFIDENTIAL AND ALL RIGHTS ARE RESERVED. IT SHALL NOT BE REPRODUCED, COPIED, LENT, OR USED FOR ANY PURPOSE OTHER THAN THAT FOR WHICH IT IS SPECIFICALLY FURNISHED.

**FRONTLINE COMMUNICATIONS**  
 12770 44th Street North  
 Clearwater, FL 33762  
 Phone (727) 573-0400  
 www.frontlinecomm.com

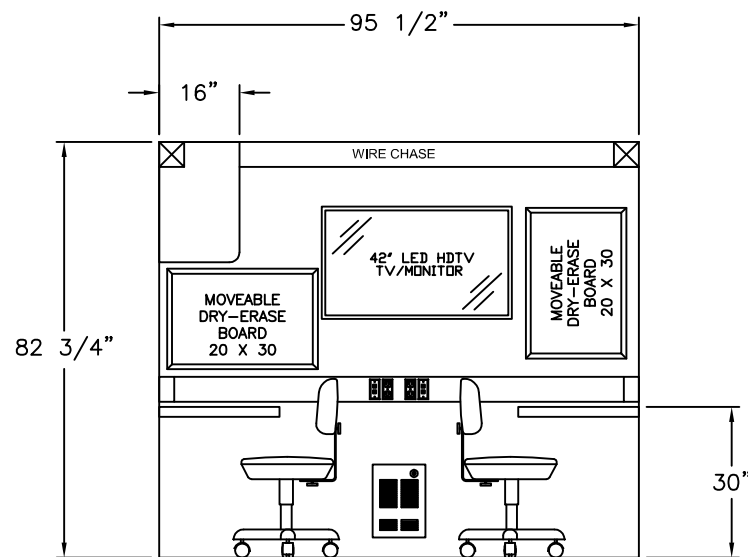


**PRELIMINARY USE ONLY**  
 THIS DRAWING IS FOR REPRESENTATION ONLY. DETAILED ENGINEERING DRAWINGS WILL BE CREATED FOR MANUFACTURING. CHANGES MAY BE REQUIRED TO ACCOMMODATE MANUFACTURING REQUIREMENTS AND CUSTOMER SPECIFICATIONS.

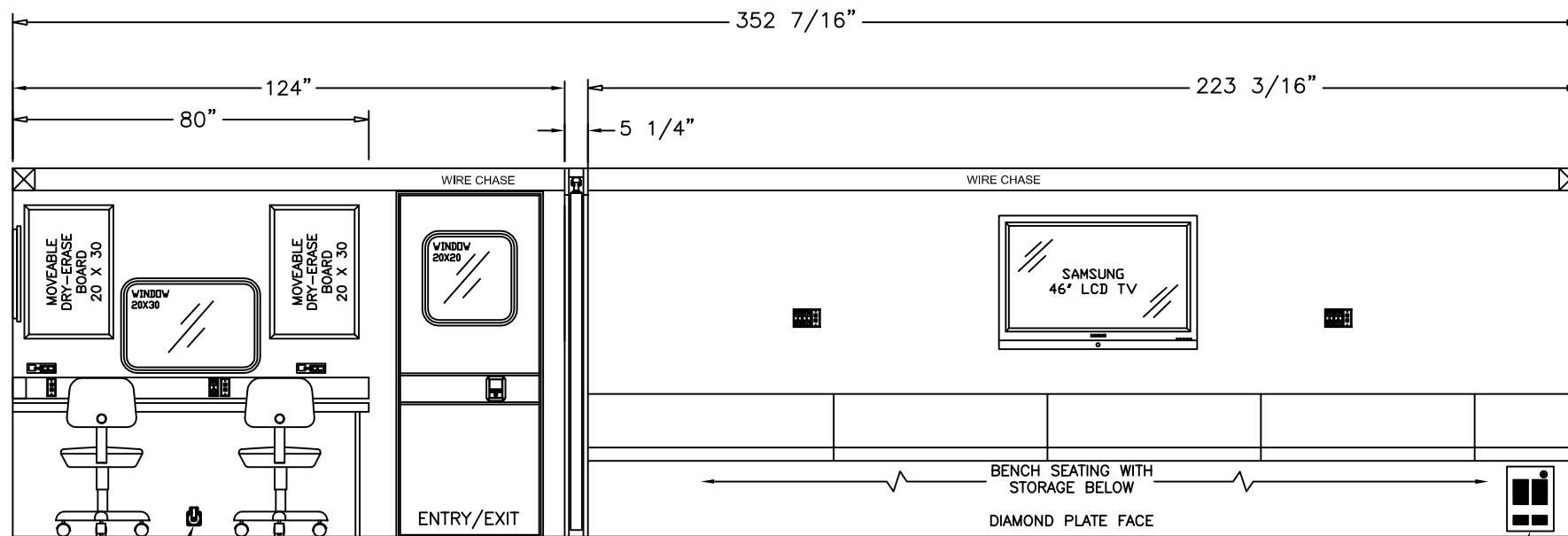
**HGAC - IC14**  
**C-40 Incident Support**  
**Freightliner - M2-106**

DRAWN	J.Chriss	DATE	5-12-16	SIZE	DWG NO.	REV
SHEET	3 OF 5	NOT TO SCALE	B	047256	-	-

SOME OPTIONAL FEATURES MAY BE SHOWN FOR REFERENCE ONLY – BUT CAN BE PURCHASED AT ADDITIONAL COST.

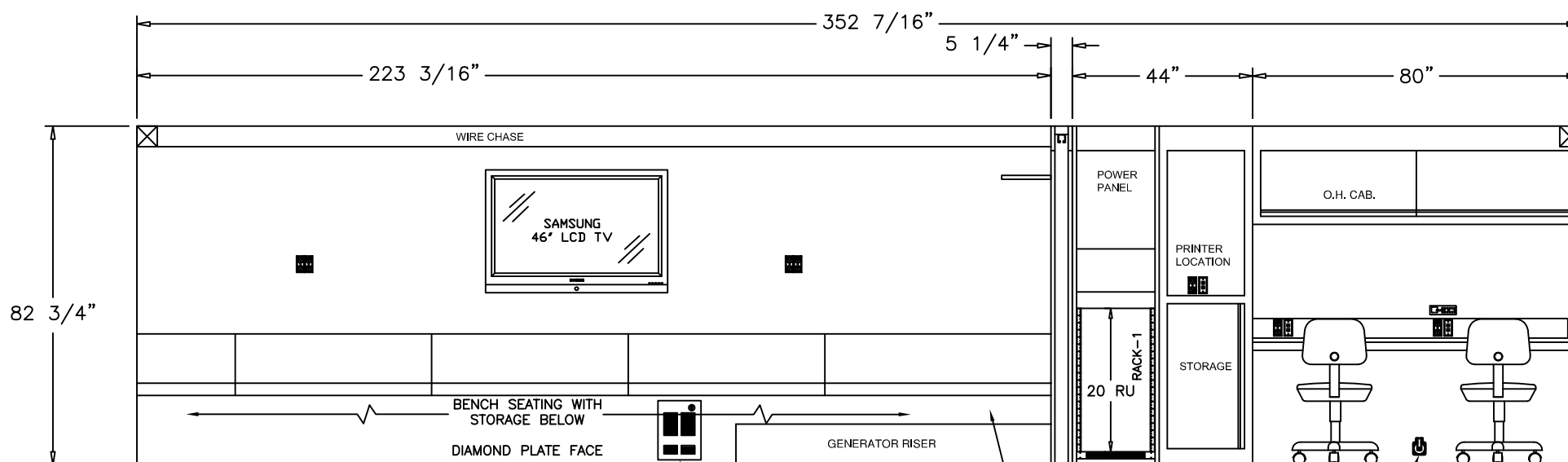


FRONT INTERIOR WALL

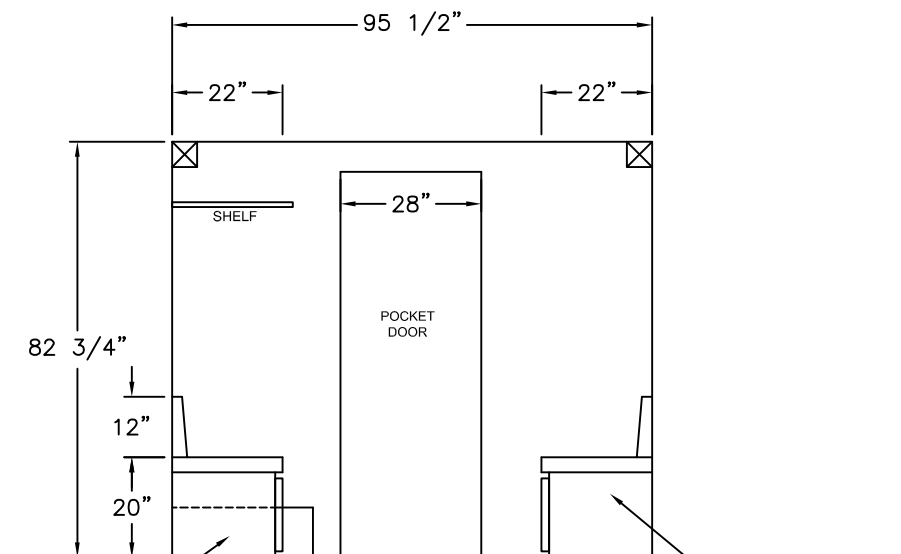


CURB SIDE INTERIOR ELEVATION

ELECTRIC HEATER



STREET SIDE INTERIOR ELEVATION

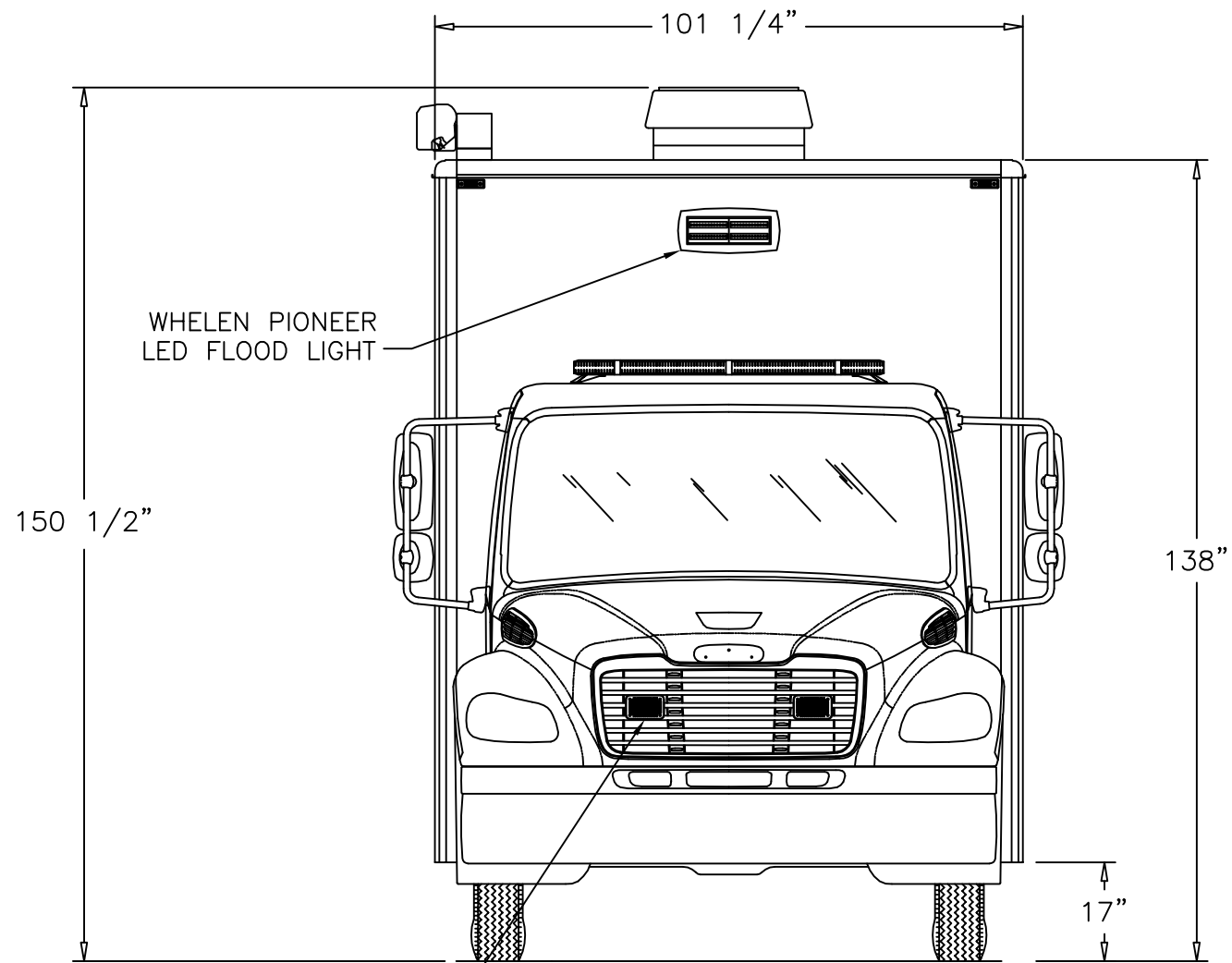


INTERIOR DIVIDER WALL

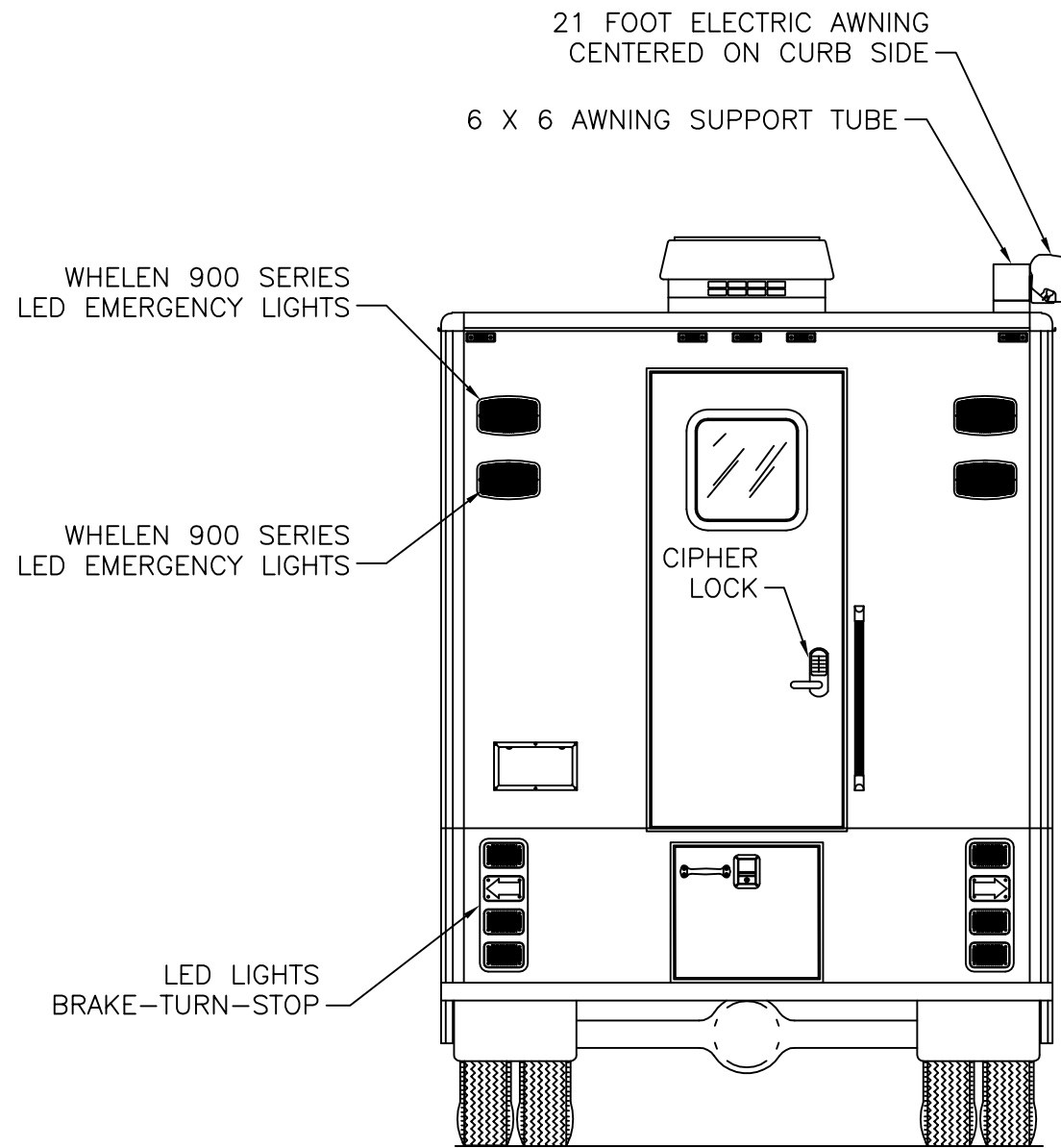
BENCH SEATING WITH STORAGE BELOW

<p>THIS DRAWING IS THE PROPERTY OF FRONTLINE COMMUNICATIONS. IT IS CONFIDENTIAL AND ALL RIGHTS ARE RESERVED. IT SHALL NOT BE REPRODUCED, COPIED, LENT, OR USED FOR ANY PURPOSE OTHER THAN THAT FOR WHICH IT IS SPECIFICALLY FURNISHED.</p>		<p><b>FRONTLINE COMMUNICATIONS</b> 12770 44th Street North Clearwater, FL 33762 Phone (727) 573-0400 www.frontlinecomm.com</p>		<p><b>OSHKOSH</b> An Oshkosh Corporation Company</p>	
<p>PRELIMINARY USE ONLY THIS DRAWING IS FOR REPRESENTATION ONLY. DETAILED ENGINEERING DRAWINGS WILL BE CREATED FOR MANUFACTURING. CHANGES MAY BE REQUIRED TO ACCOMMODATE MANUFACTURING REQUIREMENTS AND CUSTOMER SPECIFICATIONS.</p>		<p><b>HGAC - IC14</b> <b>C-40 Incident Support</b> <b>Freightliner - M2-106</b></p>			
<p>DRAWN SHEET</p>	<p>J.Chriss 4 OF 5</p>	<p>DATE 5-12-16 NOT TO SCALE</p>	<p>SIZE B</p>	<p>DWG NO. 047256</p>	<p>REV -</p>

SOME OPTIONAL FEATURES MAY BE SHOWN FOR REFERENCE ONLY - BUT CAN BE PURCHASED AT ADDITIONAL COST.



**FRONT EXTERIOR**



**REAR ELEVATION**

<p>THIS DRAWING IS THE PROPERTY OF FRONTLINE COMMUNICATIONS. IT IS CONFIDENTIAL AND ALL RIGHTS ARE RESERVED. IT SHALL NOT BE REPRODUCED, COPIED, LENT, OR USED FOR ANY PURPOSE OTHER THAN THAT FOR WHICH IT IS SPECIFICALLY FURNISHED.</p>		<p><b>FRONTLINE COMMUNICATIONS</b></p> <p>12770 44th Street North Clearwater, FL 33762 Phone (727) 573-0400 www.frontlinecomm.com</p>		<p><b>OSHKOSH</b></p> <p>An Oshkosh Corporation Company</p>	
<p><b>PRELIMINARY USE ONLY</b> THIS DRAWING IS FOR REPRESENTATION ONLY. DETAILED ENGINEERING DRAWINGS WILL BE CREATED FOR MANUFACTURING. CHANGES MAY BE REQUIRED TO ACCOMMODATE MANUFACTURING REQUIREMENTS AND CUSTOMER SPECIFICATIONS.</p>		<p><b>HGAC - IC14</b> <b>C-40 Incident Support</b> <b>Freightliner - M2-106</b></p>			
<p>DRAWN <b>J.Chriss</b></p>	<p>DATE <b>5-12-16</b></p>	<p>SIZE <b>B</b></p>	<p>DWG NO. <b>047256</b></p>	<p>REV <b>-</b></p>	
<p>SHEET <b>5 OF 5</b></p>	<p><b>NOT TO SCALE</b></p>				

SOME OPTIONAL FEATURES MAY BE SHOWN FOR REFERENCE ONLY – BUT CAN BE PURCHASED AT ADDITIONAL COST.